

LAYOUT SHOWN AS EXAMPLE

Keying Shown as example

CHARACTERISTICS

- Standard : Based on MIL-DTL-38999 Series III
- Shell Material : Aluminium
- Shell Plating : Nickel
- Insulator : Thermoplastic
- Contacts : Copper Alloy
- Seals & Grommet : Silicon Elastomer
- Contact Plating : Gold over copper Alloy 0.8µm minimum
- Durability : 500 Mating cycles
- Delivered with Souriau contacts and Accessories
- Temperature Range : -65°C to +200°C
- Salt Spray : 48 hours
- Mass : 38.81 g ± 10%

| Connector dimension | |
|---------------------|-----------------|
| Dim | Nominal |
| A | 44.5±0.3 |
| B | 30.15+0.1/-0.15 |
| R | 32.5Max |
| S | 41.3±0.4 |
| W | 2.2+0.9/-0.1 |
| VV THREAD | M25x1-6g |

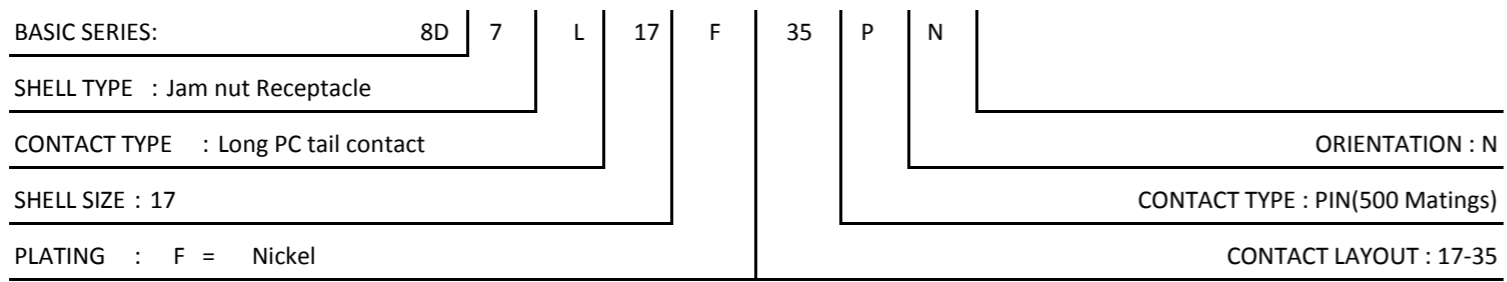
| PC Contact dimension | |
|----------------------|-------------|
| ØD | 0.7 Max |
| L1 | 7.57 / 9.00 |
| L2 | 8.5+0/-0.2 |

SOURIAU shall not be liable for any non-conformity or damage due to a use of the Products which does not comply with the Specifications issued by either of the Parties or by a third party (professional recommendation, technical notice.)

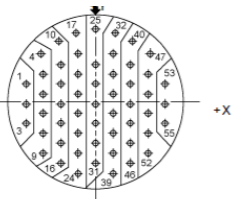
| Country | Jurisdiction & Control List |
|---------|-----------------------------|
| FR | Not Listed |

PN: 8D7L17F35PN

| | | | |
|----------------|---------------------------------------|--------------------------------|---|
| A | 07-11-2016 | First Release | |
| ISS | DATE | Latest modification - by | MOD N° |
| Designed By: | | Date: | CUSTOMER DRAWING |
| TITLE | Aluminium Receptacle 8D series | | |
| SCALE | NA | General linear Tolerances: ±-- | NPRDS / PROJECT 859 |
| SOURIAU | WWW.SOURIAU.COM | | This document is the property of SOURIAU it must not be reproduced or communicated without permission |
| FORMAT | A3 | | SOURIAU DRG N° 8D7L17F35PN-C |
| | | | SHEET 1/2 |



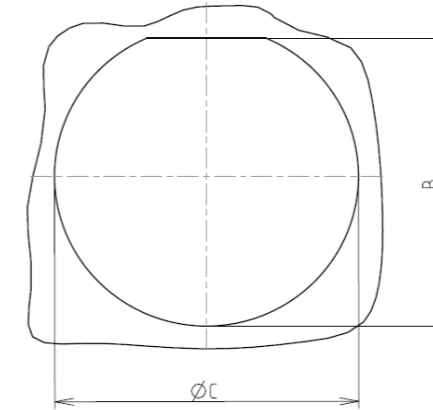
Contact Layout



| DIAMETER FOR PCB DRILLING | |
|---------------------------|----------|
| Contact Type | Diameter |
| Contact Size 22 | Ø1 Min |

Panel cutout

JAM NUT RECEPTACLE (TYPE 7)



Max. thickness panel for receptacle: Type 7: 3.2 mm

| Dim | Nominal |
|-----|---------------|
| B | 30.73+0/-0.25 |
| ØC | 32.01+0.25/-0 |

| Contacts (Insert arrangement 17-35) | | | | | |
|--|--------------|--------------|---------------------|-------------|--------------|
| Contact position ID | Location | | Contact position ID | Location | |
| | X-axis (mm) | Y-axis (mm) | | X-axis (mm) | Y-axis (mm) |
| 1 | -312 (7.92) | +086 (2.18) | 29 | .000 (0.00) | -.094 (2.39) |
| 2 | -312 (7.92) | -.004 (0.10) | 30 | .000 (0.00) | -.184 (4.67) |
| 3 | -312 (7.92) | -.094 (2.39) | 31 | .000 (0.00) | -.274 (6.96) |
| 4 | -.242 (6.15) | +221 (5.61) | 32 | +089 (2.26) | +316 (8.03) |
| 5 | -.234 (5.94) | +131 (3.33) | 33 | +078 (1.98) | +221 (5.61) |
| 6 | -.234 (5.94) | +041 (1.04) | 34 | +078 (1.98) | +131 (3.33) |
| 7 | -.234 (5.94) | -.049 (1.24) | 35 | +078 (1.98) | +041 (1.04) |
| 8 | -.234 (5.94) | -.139 (3.53) | 36 | +078 (1.98) | -.049 (1.24) |
| 9 | -.234 (5.94) | -.229 (5.82) | 37 | +078 (1.98) | -.139 (3.53) |
| 10 | -.172 (4.37) | +279 (7.09) | 38 | +078 (1.98) | -.229 (5.82) |
| 11 | -.156 (3.96) | +176 (4.47) | 39 | +078 (1.98) | -.319 (8.10) |
| 12 | -.156 (3.96) | +086 (2.18) | 40 | +172 (4.37) | +279 (7.09) |
| 13 | -.156 (3.96) | -.004 (0.10) | 41 | +156 (3.96) | +176 (4.47) |
| 14 | -.156 (3.96) | -.094 (2.39) | 42 | +156 (3.96) | +086 (2.18) |
| 15 | -.156 (3.96) | -.184 (4.67) | 43 | +156 (3.96) | -.004 (0.10) |
| 16 | -.156 (3.96) | -.274 (6.96) | 44 | +156 (3.96) | -.094 (2.39) |
| 17 | -.089 (2.26) | +316 (8.03) | 45 | +156 (3.96) | -.184 (4.67) |
| 18 | -.078 (1.98) | +221 (5.61) | 46 | +156 (3.96) | -.274 (6.96) |

| Contacts (Insert arrangement 17-35) | | | | | |
|--|--------------|--------------|---------------------|-------------|--------------|
| Contact position ID | Location | | Contact position ID | Location | |
| | X-axis (mm) | Y-axis (mm) | | X-axis (mm) | Y-axis (mm) |
| 19 | -.078 (1.98) | +131 (3.33) | 47 | +242 (6.15) | +221 (5.61) |
| 20 | -.078 (1.98) | +041 (1.04) | 48 | +234 (5.94) | +131 (3.33) |
| 21 | -.078 (1.98) | -.049 (1.24) | 49 | +234 (5.94) | +041 (1.04) |
| 22 | -.078 (1.98) | -.139 (3.53) | 50 | +234 (5.94) | -.049 (1.24) |
| 23 | -.078 (1.98) | -.229 (5.82) | 51 | +234 (5.94) | -.139 (3.53) |
| 24 | -.078 (1.98) | -.319 (8.10) | 52 | +234 (5.94) | -.229 (5.82) |
| 25 | .000 (0.00) | +329 (8.36) | 53 | +312 (7.92) | +086 (2.18) |
| 26 | .000 (0.00) | +176 (4.47) | 54 | +312 (7.92) | -.004 (0.10) |
| 27 | .000 (0.00) | +086 (2.18) | 55 | +312 (7.92) | -.094 (2.39) |
| 28 | .000 (0.00) | -.004 (0.10) | --- | --- | --- |

| Shell size | Arrangement no. | Number of contacts | Size contacts | Service rating | Contact location | Supersedes |
|------------|-----------------|--------------------|---------------|----------------|------------------|------------|
| 17 | -35 | 55 | 22D | M | All | MS27529-35 |

SOURIAU shall not be liable for any non-conformity or damage due to a use of the Products which does not comply with the Specifications issued by either of the Parties or by a third party (professional recommendation, technical notice.)

| Country | Jurisdiction & Control List |
|---------|-----------------------------|
| FR | Not Listed |

PN: 8D7L17F35PN

| | | | |
|----------------|-------------------------------------|----------------------------|---|
| A | 07-11-2016 | First Release | |
| ISS | DATE | Latest modification - by | MOD N° |
| Designed By: | | Date: | CUSTOMER DRAWING |
| TITLE | Aluminium Receptacle 8D series | | |
| SCALE | | General linear Tolerances: | NPRDS / PROJECT |
| NA | | ±-- | 859 |
| SOURIAU | WWW.SOURIAU.COM | | This document is the property of SOURIAU it must not be reproduced or communicated without permission |
| FORMAT | SOURIAU DRG N° 8D7L17F35PN-C | | SHEET 2/2 |