

LAYOUT SHOWN AS EXAMPLE

Keying Shown as example

**CHARACTERISTICS**

- Standard : Based on MIL-DTL-38999 Series III
- Shell Material : Aluminium
- Shell Plating : Black Zinc Nickel
- Insulator : Thermoplastic
- Contacts : Copper Alloy
- Seals & Grommet : Silicon Elastomer
- Contact Plating : Gold over copper Alloy 0.8µm minimum
- Durability : 500 Mating cycles
- Delivered with Souriau contacts and Accessories
- Temperature Range : -65°C to +175°C
- Salt Spray : 500 hours
- Mass : 30.16 g ± 10%

Connector dimension	
Dim	Nominal
A	41.3±0.3
B	26.97+0.1/-0.15
R	32.5Max
S	38.1±0.4
W	2.2+0.9/-0.1
VV THREAD	M22x1-6g

PC Contact dimension	
ØD	0.7 Max
L1	7.74 / 9.17
L2	5±0.1

SOURIAU shall not be liable for any non-conformity or damage due to a use of the Products which does not comply with the Specifications issued by either of the Parties or by a third party (professional recommendation, technical notice.)

Country	Jurisdiction & Control List
FR	Not Listed

**PN: 8D7C15Z19PN**

A	07-11-2016	First Release	
ISS	DATE	Latest modification - by	MOD N°
Designed By:		Date:	<b>CUSTOMER DRAWING</b>
<b>TITLE</b>	<b>Aluminium Receptacle 8D series</b>		
SCALE	NA	General linear Tolerances: ±--	NPRDS / PROJECT <b>859</b>
<b>SOURIAU</b>	<b>WWW.SOURIAU.COM</b>		This document is the property of SOURIAU it must not be reproduced or communicated without permission
FORMAT	<b>A3</b>		<b>SOURIAU DRG N° 8D7C15Z19PN-C</b>
			SHEET 1/2

BASIC SERIES:	8D	7	C	15	Z	19	P	N
SHELL TYPE :	Jam nut Receptacle			ORIENTATION : N				
CONTACT TYPE :	Short PC tail Contact			CONTACT TYPE : PIN(500 Matings)				
SHELL SIZE :	15			CONTACT LAYOUT : 15-19				
PLATING :	Z = Black Zinc Nickel							

Contact Layout



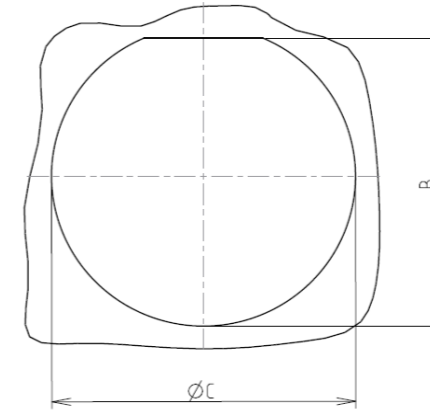
Contacts (Insert arrangement 15-19)					
Contact position ID	Location		Contact position ID	Location	
	X-axis (mm)	Y-axis (mm)		X-axis (mm)	Y-axis (mm)
A	+000 (0.00)	+225 (5.72)	L	-195 (4.95)	+113 (2.87)
B	+130 (3.30)	+225 (5.72)	M	-130 (3.30)	+225 (5.72)
C	-195 (4.95)	+113 (2.87)	N	-005 (1.05)	+113 (2.87)
D	+260 (6.60)	+000 (0.00)	P	+065 (1.65)	+113 (2.87)
E	+195 (4.95)	-113 (2.87)	R	+130 (3.30)	+000 (0.00)
F	+130 (3.30)	-225 (5.72)	S	+065 (1.65)	-113 (2.87)
G	+000 (0.00)	-225 (5.72)	T	-065 (1.65)	-113 (2.87)
H	-130 (3.30)	-225 (5.72)	U	-130 (3.30)	+000 (0.00)
J	-195 (4.95)	-113 (2.87)	V	+000 (0.00)	+000 (0.00)
K	-260 (6.60)	+000 (0.00)			

Shell size	Arrangement no.	Number of contacts	Size contacts	Service rating	Contact location	Supersedes
15	-19	19	20	I	All	MS20052-19

DIAMETER FOR PCB DRILLING	
Contact Type	Diameter
Contact Size 20	Ø1 Min

Panel cutout

JAM NUT RECEPTACLE (TYPE 7)



Max. thickness panel for receptacle: Type 7: 3.2 mm

Dim	Nominal
B	27.56+0/-0.25
ØC	28.83+0.25/-0

SOURIAU shall not be liable for any non-conformity or damage due to a use of the Products which does not comply with the Specifications issued by either of the Parties or by a third party (professional recommendation, technical notice.)

Country	Jurisdiction & Control List
FR	Not Listed

PN: 8D7C15Z19PN

A	07-11-2016	First Release	
ISS	DATE	Latest modification - by	MOD N°
Designed By:		Date:	<b>CUSTOMER DRAWING</b>
<b>TITLE</b>	Aluminium Receptacle 8D series		
SCALE		General linear Tolerances:	NPRDS / PROJECT
NA		±--	<b>859</b>
<b>SOURIAU</b>	<b>WWW.SOURIAU.COM</b>		This document is the property of SOURIAU it must not be reproduced or communicated without permission
FORMAT	<b>SOURIAU DRG N° 8D7C15Z19PN-C</b>		SHEET 2/2