

LAYOUT SHOWN AS EXAMPLE

Keying Shown as example

**CHARACTERISTICS**

- Standard : Based on MIL-DTL-38999 Series III
- Shell Material : Stainless Steel
- Shell Plating : Nickel
- Insulator : Thermoplastic
- Contacts : Copper Alloy
- Seals & Grommet : Silicon Elastomer
- Contact Plating : Gold over copper Alloy 0.8µm minimum
- Durability : 500 Mating cycles
- Delivered with Souriau contacts and Accessories
- Temperature Range : -65°C to +200°C
- Salt Spray : 500 hours

Connector dimension	
Dim	Nominal
A	58.7±0.3
B	42.85+0.1/-0.15
R	32.5Max
S	55.6±0.4
W	3+0.9/-0.1
VV THREAD	M37x1-6g

SOURIAU shall not be liable for any non-conformity or damage due to a use of the Products which does not comply with the Specifications issued by either of the Parties or by a third party (professional recommendation, technical notice.)

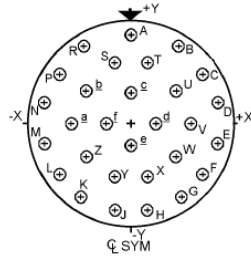
Country	Jurisdiction & Control List
FR	Not Listed

**PN: 8D725S29SA**

A	04-10-2016	First Release	
ISS	DATE	Latest modification - by	MOD N°
Designed By:		Date:	<b>CUSTOMER DRAWING</b>
<b>TITLE</b>	<b>Stainless Steel Receptacle 8D series</b>		
SCALE		General linear Tolerances: ±--	NPRDS / PROJECT <b>859</b>
NA	<b>SOURIAU</b> <a href="http://WWW.SOURIAU.COM">WWW.SOURIAU.COM</a>		This document is the property of SOURIAU it must not be reproduced or communicated without permission
FORMAT	<b>A3</b>		<b>SOURIAU DRG N° 8D725S29SA-C</b>
			SHEET 1/2

BASIC SERIES:	8D	7	-	25	S	29	S	A	ORIENTATION : A
SHELL TYPE :	Jam nut Receptacle								
CONTACT TYPE :	Standard Crimp Contact								
SHELL SIZE :	25								
PLATING :	S = Nickel								
	CONTACT TYPE : SOCKET(500 Matings)								
	CONTACT LAYOUT : 25-29								

Contact Layout

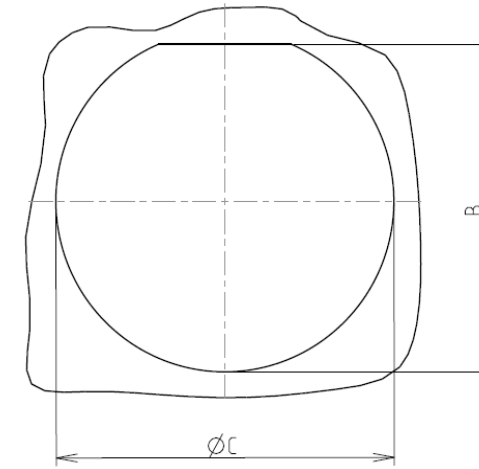


Contacts (Insert arrangement 25-29)					
Contact position ID	Location		Contact position ID	Location	
	X-axis (mm)	Y-axis (mm)		X-axis (mm)	Y-axis (mm)
A	+000 (0.00)	+481 (12.22)	S	-091 (2.31)	+321 (8.15)
B	+258 (6.55)	+406 (10.31)	T	+091 (2.31)	+321 (8.15)
C	+395 (10.03)	+277 (7.04)	U	+228 (5.79)	+194 (4.93)
D	+469 (11.91)	+109 (2.77)	V	+319 (8.10)	+000 (0.00)
E	-460 (11.01)	-100 (2.77)	W	-240 (6.10)	-181 (4.60)
F	+395 (10.03)	-277 (7.04)	X	+091 (2.31)	-290 (7.37)
G	+263 (6.68)	-406 (10.31)	Y	-091 (2.31)	-290 (7.37)
H	+091 (2.31)	-472 (11.99)	Z	-240 (6.10)	-181 (4.60)
J	-091 (2.31)	-472 (11.99)	a	-319 (8.10)	+000 (0.00)
K	-263 (6.68)	-406 (10.31)	b	-228 (5.79)	+194 (4.93)
L	-395 (10.03)	-277 (7.04)	c	+000 (0.00)	+161 (4.09)
M	-469 (11.91)	-109 (2.77)	d	+134 (3.40)	+000 (0.00)
N	-469 (11.91)	+109 (2.77)	e	+000 (0.00)	-130 (3.30)
P	-395 (10.03)	+277 (7.04)	f	-134 (3.40)	+000 (0.00)
R	-258 (6.55)	+406 (10.31)	---	---	---

Shell size	Arrangement no.	Number of contacts	Size contacts	Service rating	Contact location	Supersedes
25	-29	29	16	I	All	MS20057-29

Panel cutout

JAM NUT RECEPTACLE (TYPE 7)



Dim	Nominal
B	43.43+0/-0.25
ØC	44.7+0.25/-0

SOURIAU shall not be liable for any non-conformity or damage due to a use of the Products which does not comply with the Specifications issued by either of the Parties or by a third party (professional recommendation, technical notice.)

Country	Jurisdiction & Control List
FR	Not Listed

PN: 8D725S29SA

A	04-10-2016	First Release	
ISS	DATE	Latest modification - by	MOD N°
Designed By:		Date:	<b>CUSTOMER DRAWING</b>
<b>TITLE</b>	<b>Stainless Steel Receptacle 8D series</b>		
SCALE		General linear Tolerances:	NPRDS / PROJECT
NA		±--	<b>859</b>
<b>SOURIAU</b>	<b>WWW.SOURIAU.COM</b>		This document is the property of SOURIAU it must not be reproduced or communicated without permission
FORMAT	<b>SOURIAU DRG N° 8D725S29SA-C</b>		SHEET 2/2