



LAYOUT SHOWN AS EXAMPLE

Keying Shown as example

**CHARACTERISTICS**

- Standard : Based on MIL-DTL-38999 Series III
- Shell Material : Composite
- Shell Plating : Olive drab Cadmium
- Insulator : Thermoplastic
- Contacts : Copper Alloy
- Seals & Grommet : Silicon Elastomer
- Contact Plating : Gold over copper Alloy 0.8µm minimum
- Durability : 500 Mating cycles
- Delivered with Souriau contacts and Accessories
- Temperature Range : -65°C to +175°C
- Salt Spray : 2000 hours

Connector dimension	
Dim	Nominal
P	3.91±0.2
PP	6.15±0.2
R1	38.1
R2	34.93
S	46±0.3
V'	18.7+1.4/-0
W'	2.1/4.35
Z'	32 Max
VV THREAD	M37x1-6g

SOURIAU shall not be liable for any non-conformity or damage due to a use of the Products which does not comply with the Specifications issued by either of the Parties or by a third party (professional recommendation, technical notice.)

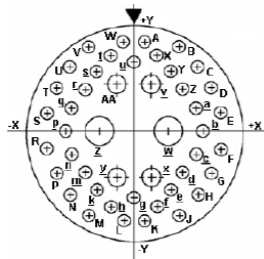
Country	Jurisdiction & Control List
FR	Not Listed

**PN: 8D025J90PN**

A	14-10-2016	First Release	
ISS	DATE	Latest modification - by	MOD N°
Designed By:		Date:	<b>CUSTOMER DRAWING</b>
<b>TITLE</b>		Composite Receptacle 8D series	
SCALE	NA	General linear Tolerances: ±--	NPRDS / PROJECT <b>859</b>
<b>SOURIAU</b>		<b>WWW.SOURIAU.COM</b>	
This document is the property of SOURIAU it must not be reproduced or communicated without permission			
FORMAT	<b>SOURIAU DRG N° 8D025J90PN-C</b>		SHEET 1/2

BASIC SERIES:	8D	0	-	25	J	90	P	N	ORIENTATION : N
SHELL TYPE :	Square Flange Receptacle								
CONTACT TYPE :	Standard Crimp Contact								
SHELL SIZE :	25								
PLATING :	J = Olive drab Cadmium								
	CONTACT TYPE : PIN(500 Matings)								
	CONTACT LAYOUT : 25-50								

Contact Layout

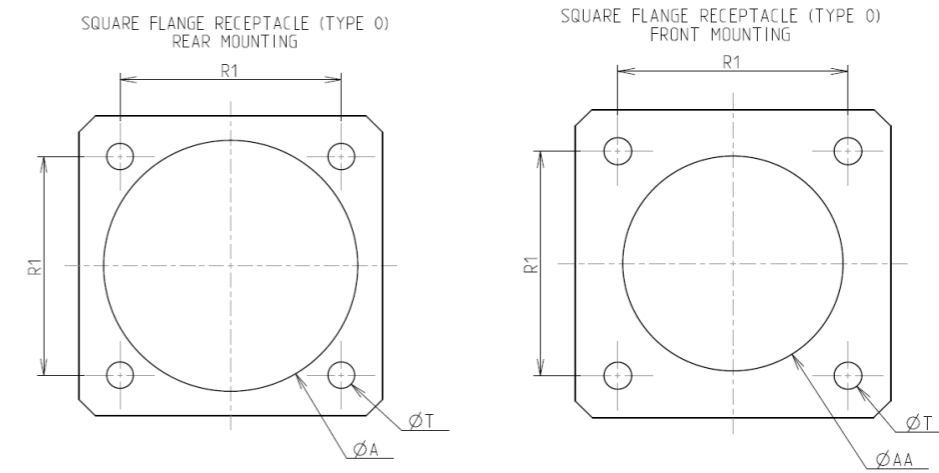


(Inactive for new design for MIL-DTL-38999. For new design, use arrangement no. 25-91.)

Contacts (Insert arrangement 25-90)					
Contact position ID	Location		Contact position ID	Location	
	X-axis (mm)	Y-axis (mm)		X-axis (mm)	Y-axis (mm)
A	+065 (1.65)	+533 (13.54)	a	+404 (10.26)	+125 (3.18)
B	+275 (6.99)	+466 (11.84)	b	+437 (11.10)	+000 (0.00)
C	+420 (10.67)	+337 (8.56)	c	+404 (10.26)	-125 (3.18)
D	+490 (12.45)	+227 (5.77)	d	+314 (7.98)	-221 (5.61)
E	+531 (13.49)	+093 (2.36)	e	+245 (6.22)	-337 (8.56)
F	+531 (13.49)	-093 (2.36)	f	+136 (3.45)	-424 (10.77)
G	+490 (12.45)	-227 (5.77)	g	+000 (0.00)	-395 (10.03)
H	+420 (10.67)	-337 (8.56)	h	-136 (3.45)	-424 (10.77)
J	+275 (6.99)	-466 (11.84)	j	-245 (6.22)	-337 (8.56)
K	+065 (1.65)	-533 (13.54)	k	-314 (7.98)	-221 (5.61)
L	-065 (1.65)	-533 (13.54)	l	-404 (10.26)	-125 (3.18)
M	-275 (6.99)	-466 (11.84)	m	-437 (11.10)	+000 (0.00)
N	-420 (10.67)	-337 (8.56)	n	-404 (10.26)	+125 (3.18)
P	-490 (12.45)	-227 (5.77)	p	-314 (7.98)	+221 (5.61)
R	-531 (13.49)	-093 (2.36)	r	-245 (6.22)	+337 (8.56)
S	-531 (13.49)	+093 (2.36)	s	-136 (3.45)	+424 (10.77)
T	-490 (12.45)	+227 (5.77)	t	+000 (0.00)	+395 (10.03)
U	-420 (10.67)	+337 (8.56)	u	+097 (2.46)	+265 (6.73)
V	-275 (6.99)	+466 (11.84)	v	+180 (4.57)	+000 (0.00)
W	-065 (1.65)	+533 (13.54)	w	+097 (2.46)	-265 (6.73)
X	+136 (3.45)	+424 (10.77)	x	-097 (2.46)	-265 (6.73)
Y	+245 (6.22)	+337 (8.56)	y	-180 (4.57)	+000 (0.00)
Z	+314 (7.98)	+221 (5.61)	z	-097 (2.46)	+265 (6.73)
			AA		

Shell size	Arrangement no.	Number of contacts	Size of contacts	Service rating	Contact location	Standard contact	
						Pin	Socket
25	-90	2	8 (see note)	Twinax	W, Z	M39029/90-529	M39029/91-530
		4	16	I	Y, X, Y, AA	M39029/56-364	M39029/56-352
		40	20	All others		M39029/56-363	M39029/56-351

Panel Cutout



Dim	Nominal
ØA	42.47 min
ØAA	37.69 min
R1	38.1
ØT	3.81 ±0.13

SOURIAU shall not be liable for any non-conformity or damage due to a use of the Products which does not comply with the Specifications issued by either of the Parties or by a third party (professional recommendation, technical notice.)

Country	Jurisdiction & Control List
FR	Not Listed

PN: 8D025J90PN

A	14-10-2016	First Release	
ISS	DATE	Latest modification - by	MOD N°
Designed By:		Date:	<b>CUSTOMER DRAWING</b>
<b>TITLE</b>		Composite Receptacle 8D series	
SCALE	NA	General linear Tolerances: ±--	NPRDS / PROJECT <b>859</b>
<b>SOURIAU</b>		WWW.SOURIAU.COM	
		This document is the property of SOURIAU it must not be reproduced or communicated without permission	
FORMAT	SOURIAU DRG N° 8D025J90PN-C		SHEET 2/2