

QUAD ROW SMT TERMINAL TOLC SERIES

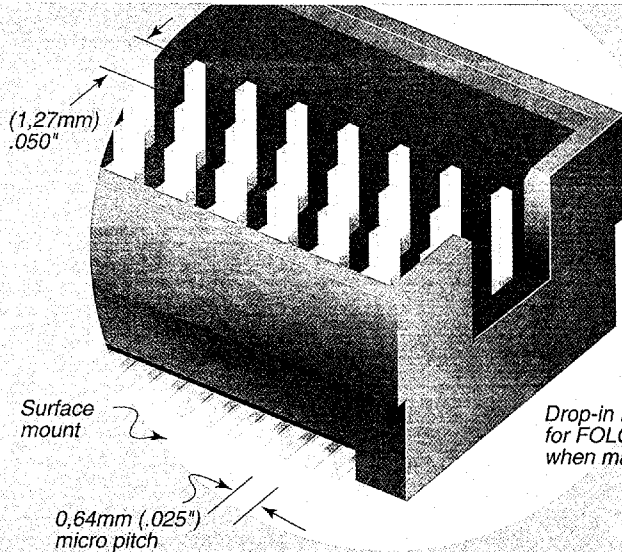
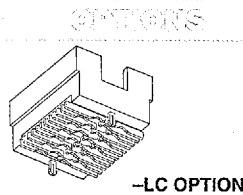
Specifications:

TOLC HI-TEMP

Insulator Material:
 Black Liquid Crystal Polymer
Terminal Material:
 Phosphor Bronze
Current Rating:
 Testing Now!
Operating Temp Range:
 -65°C to +125°C
Max Processing Temp:
 230°C for 60 seconds
Plating: Au over 50µ" (1.27µm) Ni
SMT Lead Coplanarity:
 .004" (0.10mm) max



Mates with:
SOLC



Drop-in replacement for FOLC/MOLC when mated with SOLC

Note: Some sizes, styles and options are non-standard, non-returnable.

TOLC - **1** NO. PINS PER ROW - **LEAD STYLE** - **PLATING OPTION** - **Q** - **OPTION**

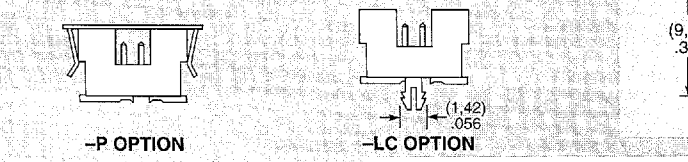
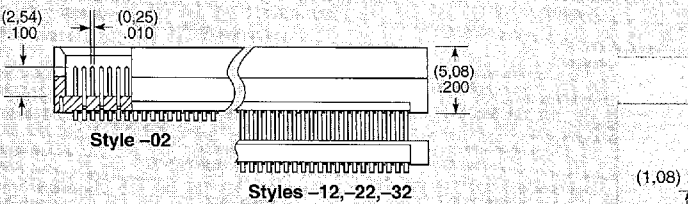
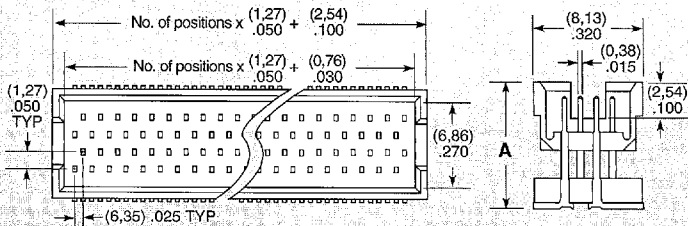
20, 25, 30, 35, 40, 45, 50
(Call Samtec for other sizes)

Specify LEAD STYLE from chart

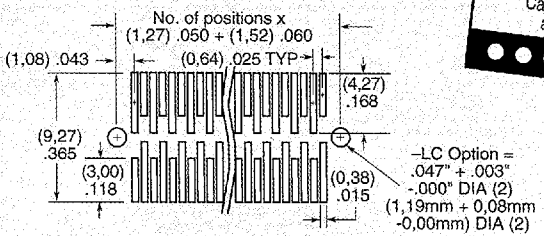
-S
 = 30µ" (0.76µm) Gold on post, Gold flash on tail
-L
 = 10µ" (0.25µm) Gold on contact, Gold flash on tail
-F
 = Gold flash on contact, Gold flash on tail

-LC
 = Locking Clip Samtec discretion)
-P
 = Pick & Place Pad
-TR
 = Tape & Reel (-LC & -A not available)

LEAD STYLE	A	MATED HEIGHT
-02	(5.59) .220	(6.35) .250
-12	(7.24) .285	(8.00) .315
-22	(9.25) .364	(10.00) .394
-32	(11.23) .442	(12.00) .472



PCB LAYOUT



TAPE & REEL AVAILABILITY
 No tooling charges.
 125 piece minimum order.
 Order any quantity above minimum.
 In-house design, manufacture.
 Quick turn-around.
 Call Samtec for specifications and ordering information.

D 12F 7964149 0002062 596