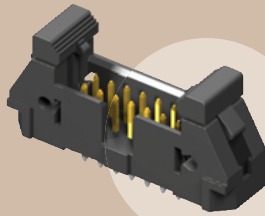
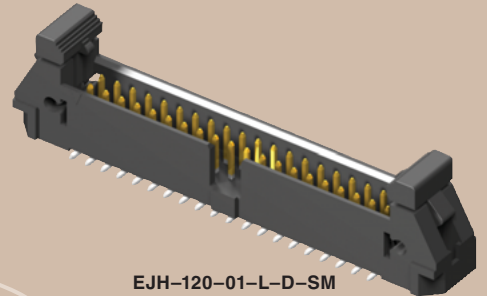


EJH-107-01-F-D-TH



EJH-120-01-L-D-SM



(2,54 mm) .100"

EJH SERIES

# SHROUDED IDC EJECTOR HEADERS

## SPECIFICATIONS

For complete specifications and recommended PCB layouts see [www.samtec.com?EJH](http://www.samtec.com?EJH)

**Insulator Material:**

Liquid Crystal Polymer

**Terminal Material:**

Phosphor Bronze

**Plating:**

Sn or Au over

50µ" (1,27 µm) Ni

**Operating Temp Range:**

-55°C to +125°C

**RoHS Compliant:**

Yes

**Processing:**

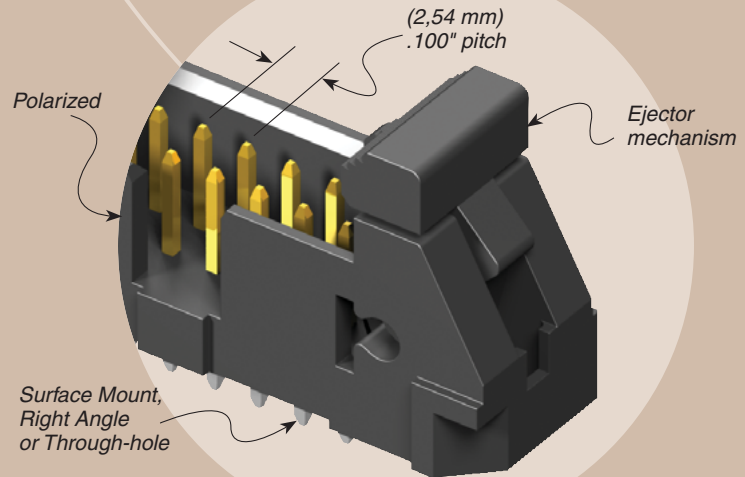
Lead-Free Solderable:

Yes

**SMT Lead Coplanarity:**

(0,10 mm) .004" max

**Mates with:**  
IDSD (EJH-01 Required),  
HCSD (EJH-02 Required)



## RECOGNITIONS

For complete scope of recognitions see [www.samtec.com/quality](http://www.samtec.com/quality)



## ALSO AVAILABLE (MOQ Required)

- Other sizes
  - Other platings
- Contact Samtec.

EJH	1	NO. PINS PER ROW	LEAD STYLE	PLATING OPTION	D	TAIL OPTION	OTHER OPTION
		05, 07, 08, 10, 13, 15, 17, 20, 25 (Standard sizes.)	-01 = Standard (Mates to IDSD) -02 = Extended (Mates to HCSD)	-F = Gold flash on post, Matte Tin on tail -L = 10µ" (0,25 µm) Gold on post, Matte Tin on tail		-SM = Surface Mount -TH = Through-hole -RA = Right Angle	- "XX" = Polarized Position -LC = Locking Clip (-SM only) (Manual placement required) -K = .475" (12,00 mm) DIA Polyimide Film Pick & Place Pad (-SM only) -P = Pick & Place Pad (-SM only) -TR = Tape & Reel Packaging (-SM only) 25 position not available

**LEAD STYLE A**

-01	(16,88) .665
-02	(17,39) .685

**Note:** Some lengths, styles and options are non-standard, non-returnable.

*Due to technical progress, all designs, specifications and components are subject to change without notice.*