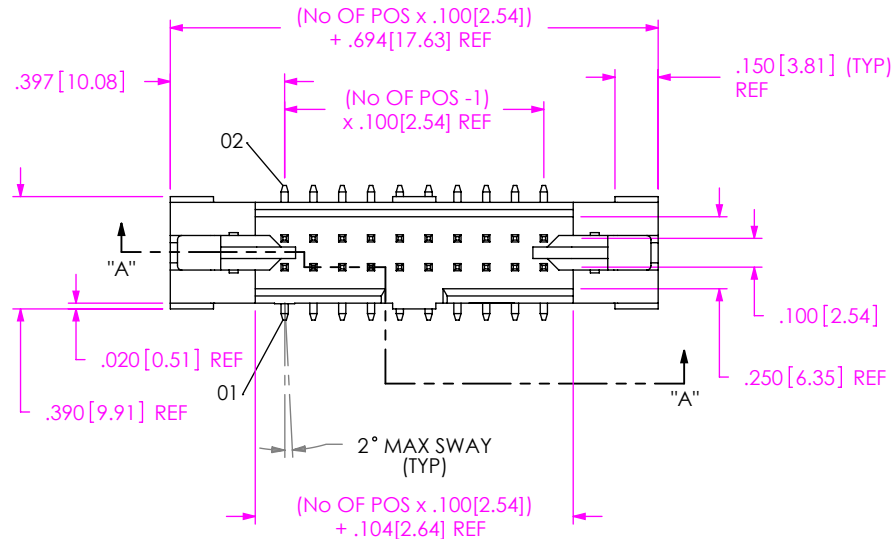


DO NOT SCALE FROM THIS PRINT

EJH-1XX-XX-XX-D-XX-XX-XX



No OF POSITIONS
-05 THRU -25

LEAD STYLE
-01: STANDARD (USE EJH-XX-D)
-02: EXTENDED (SEE FIG. 11, SHEET 4) (USE EJH-XX-D-EXT & EHA-03-EXT)

PLATING SPECIFICATION
-S: SELECTIVE GOLD (USE T-1S6X-XX-S-X)
-F: FLASH SELECTIVE GOLD (USE T-1S6X-XX-F-X)
-SM: SELECTIVE HEAVY GOLD (USE T-1S6X-XX-S-X)
-FM: FLASH SELECTIVE GOLD, MATTE TIN TAIL (USE T-1S6X-XX-F-X)
-L: LIGHT SELECTIVE GOLD MATTE TIN TAIL (USE T-1S6X-XX-L-X)

OPTION
-LC: LOCKING CLIP (FOR -SM ONLY) (SEE NOTE 10)
-P: PICK & PLACE PAD (FOR -SM ONLY) (USE PPP-50, SEE FIGURE 6, SHEET 3)
-K: POLYAMIDE FILM (SEE FIG. 3, SHEET 3) (USE K-850-650)
-TR: TAPE & REEL PACKAGING (SEE FIG. 7, SHEET 3) (FOR -SM-P, & -SM-K ONLY) (NOT AVAILABLE ON -SM-LC) (NOT AVAILABLE ON -25 POSITION)

POLARIZED OPTION
-XX = PIN OMITED

TAIL OPTION
-SM: SURFACE MOUNT (SEE FIG. 1)
-TH: THROUGH HOLE (SEE FIG. 8, SHEET 2)
-RA: RIGHT ANGLE (SEE FIG. 9, SHEET 2)

ROW SPECIFICATION
-D: DOUBLE

TABLE 1		
TAIL OPTION	PIN A	PIN B
-SM	T-1S6-08-XX-2	--
-TH	T-1S6-22-XX-2	--
-RA	T-1S64-01-XX	T-1S64-02-XX

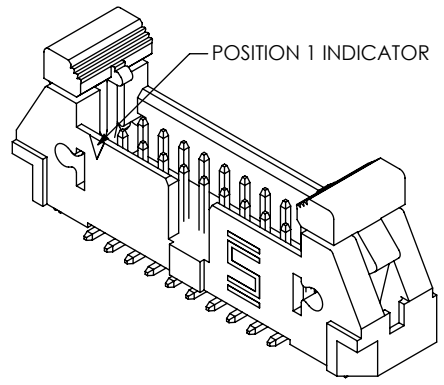
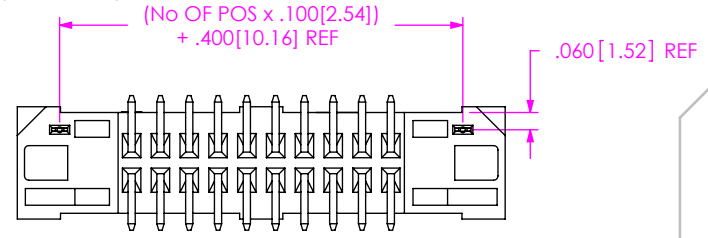
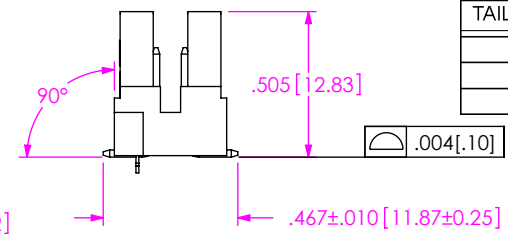
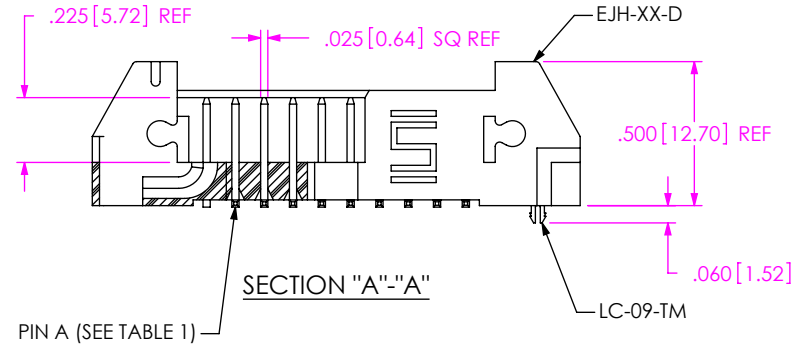
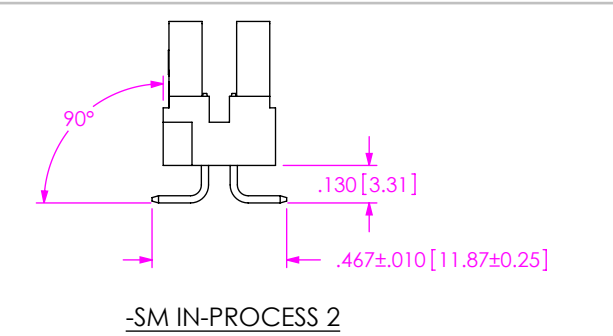
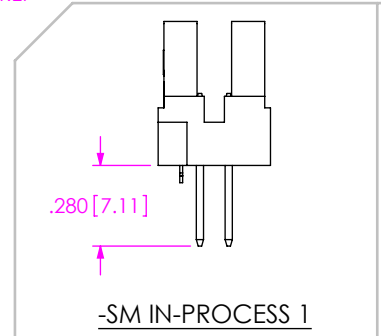


FIG. 1
EJH-110-01-X-D-SM-LC SHOWN

- NOTES:
- ⊕ REPRESENTS A CRITICAL DIMENSION.
 - COPLANARITY TO BE: .004 MAX FOR POSITIONS -05 THRU -10
.006 MAX FOR POSITIONS -15 THRU -25
 - BURR ALLOWANCE: .0015 MAX.
 - MINIMUM PUSHOUT FORCE: 1 LB MIN.
 - MAXIMUM ALLOWABLE BOW: .002 INCH/INCH AFTER ASSEMBLY.
 - PARTS TO BE TUBED WITH EJECTOR ARMS IN THE UP POSITION AS SHOWN.
 - REPRESS TO DIMENSION SHOWN.
 - NOTE DELETED.
 - MEASURE FROM THE TIPS OF THE TERMINALS.
 - DUE TO THE HIGH AMOUNT OF INSERTION FORCE NEEDED, THE -LC OPTION IS NOT COMPATIBLE WITH AUTO PLACEMENT. SAMTEC RECOMMENDS MANUAL PLACEMENT FOR ALL ASSEMBLIES WITH THE -LC OPTION.



UNLESS OTHERWISE SPECIFIED, DIMENSIONS ARE IN INCHES.
TOLERANCES ARE:
DECIMALS ANGLES
.XX: ±.01 [.3] 2°
.XXX: ±.005 [.13]
.XXXX: ±.0020 [.051]

PROPRIETARY NOTE
THIS DOCUMENT CONTAINS INFORMATION CONFIDENTIAL AND PROPRIETARY TO SAMTEC, INC. AND SHALL NOT BE REPRODUCED OR TRANSFERRED TO OTHER DOCUMENTS OR DISCLOSED TO OTHERS OR USED FOR ANY PURPOSE OTHER THAN THAT WHICH IT WAS OBTAINED WITHOUT THE EXPRESSED WRITTEN CONSENT OF SAMTEC, INC.

samtec
520 PARK EAST BLVD. NEW ALBANY, IN 47150
PHONE: 812-944-6733 FAX: 812-948-5047
e-Mail: info@SAMTEC.com code: 55322

MATERIAL: DO NOT SCALE DRAWING SHEET SCALE: 1:0.6666666666666667
-01 INSULATOR: VECTRA E130i, COLOR: BLACK
-02 INSULATOR COLOR: NATURAL
TERMINAL: PHOS BRONZE 510 3/4 HARD

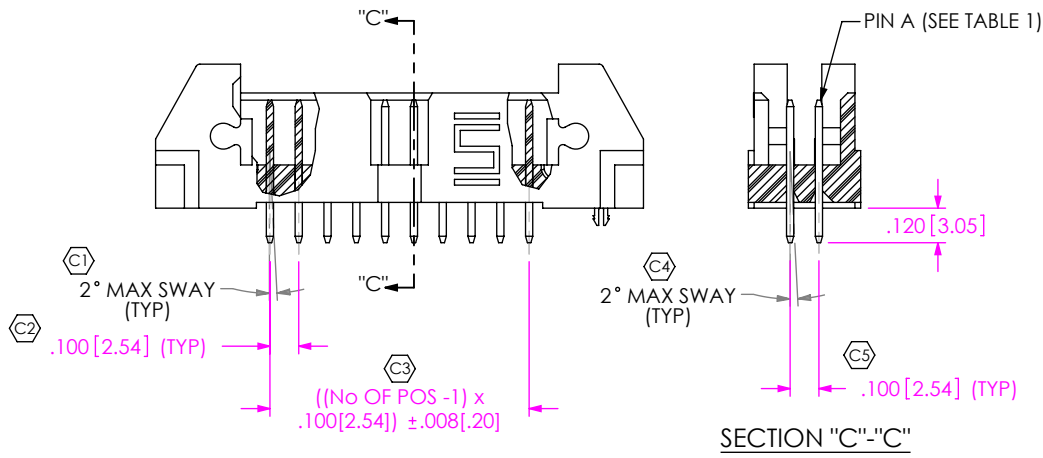
DESCRIPTION:
.100 x .100 EJECTOR HEADER ASSEMBLY

DWG. NO.
EJH-1XX-XX-XX-D-XX-XX-XX

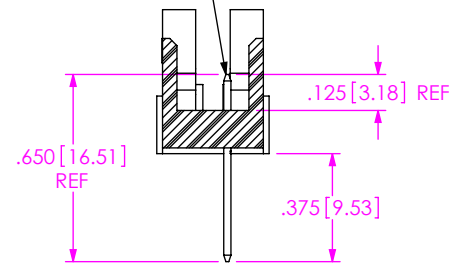
BY: ERIC M. 09/19/01 SHEET 1 OF 4

FIG. 8

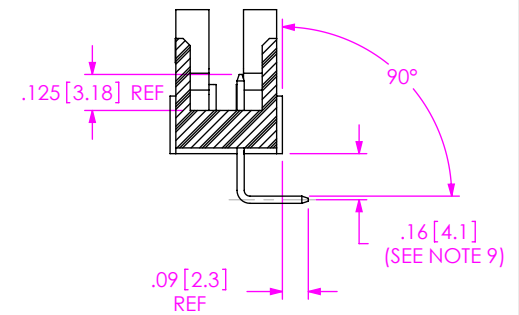
EJH-110-01-X-D-TH SHOWN
[DIFFERENT AS SHOWN, OTHERWISE SAME AS FIG. 1]



PIN A (SEE TABLE 1)



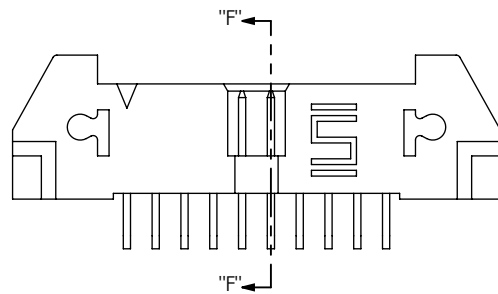
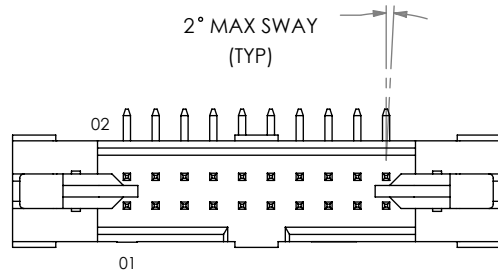
-RA IN-PROCESS 1



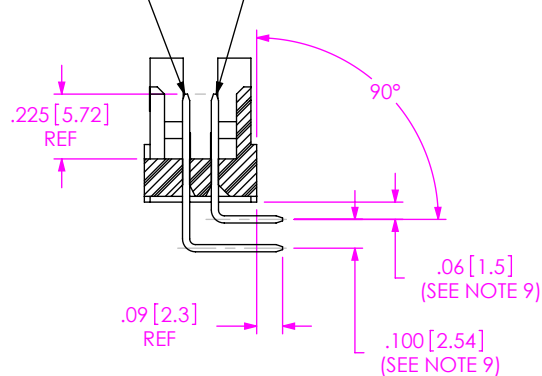
-RA IN-PROCESS 2

FIG. 9

EJH-110-01-X-D-RA SHOWN
[DIFFERENT AS SHOWN, OTHERWISE SAME AS FIG. 1]

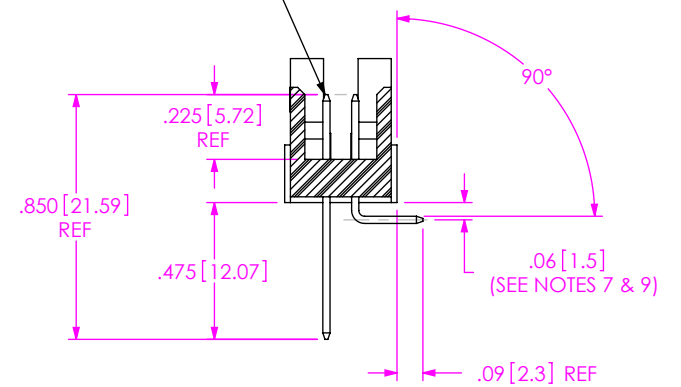


PIN B (SEE TABLE 1) PIN A (SEE TABLE 1)



SECTION "F"- "F"

PIN B (SEE TABLE 1)



-RA IN-PROCESS 3

PROPRIETARY NOTE

THIS DOCUMENT CONTAINS INFORMATION CONFIDENTIAL AND PROPRIETARY TO SAMTEC, INC. AND SHALL NOT BE REPRODUCED OR TRANSFERRED TO OTHER DOCUMENTS OR DISCLOSED TO OTHERS OR USED FOR ANY PURPOSE OTHER THAN THAT WHICH IT WAS OBTAINED WITHOUT THE EXPRESSED WRITTEN CONSENT OF SAMTEC, INC.

DO NOT SCALE DRAWING

SHEET SCALE: 1.5:1



520 PARK EAST BLVD, NEW ALBANY, IN 47150
PHONE: 812-944-6733 FAX: 812-948-5047
e-Mail: info@SAMTEC.com code: 55322

DESCRIPTION:
.100 x .100 EJECTOR HEADER ASSEMBLY

DWG. NO.
EJH-1XX-XX-XX-D-XX-XX-XX

BY: ERIC M. 09/19/01 SHEET 2 OF 4

FIG. 2
ARM ASSEMBLY & ROTATION

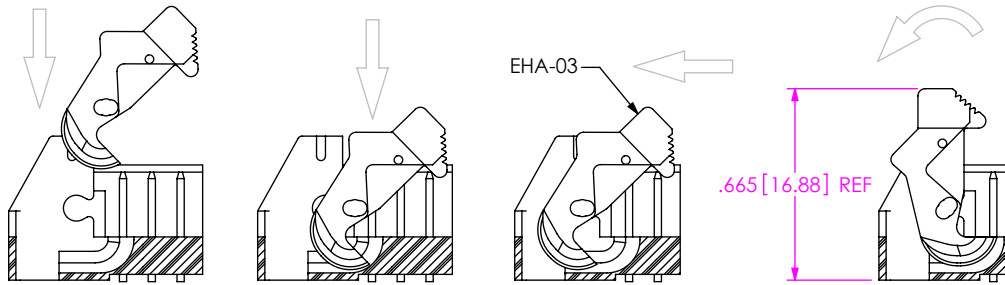
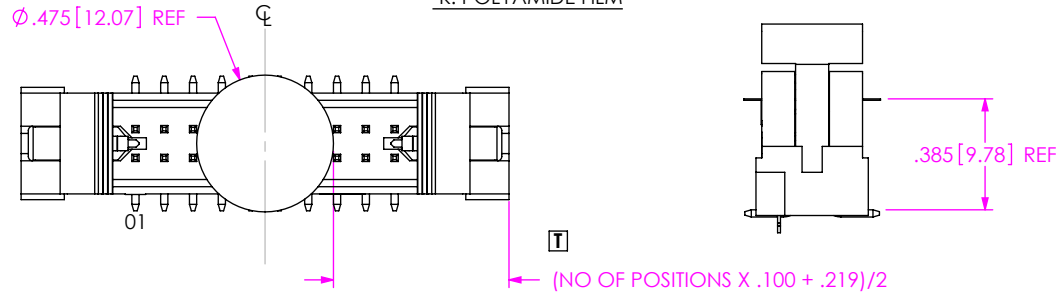


FIG. 3
-K: POLYAMIDE FILM



PACKAGING TUBE VIEWS

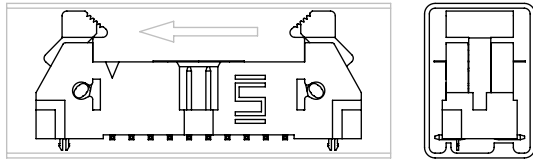


FIG. 4
SURFACE MOUNT
(SEE NOTE 6)

TUBE: PT-1-24-01-121
PLUG: TP-13

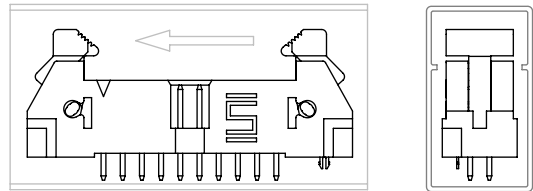


FIG. 5
THROUGH HOLE
(SEE NOTE 6)

TUBE: PT-1-24-02-74
PLUG: TP-26

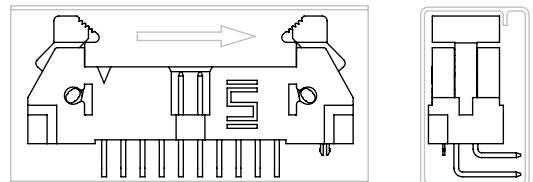
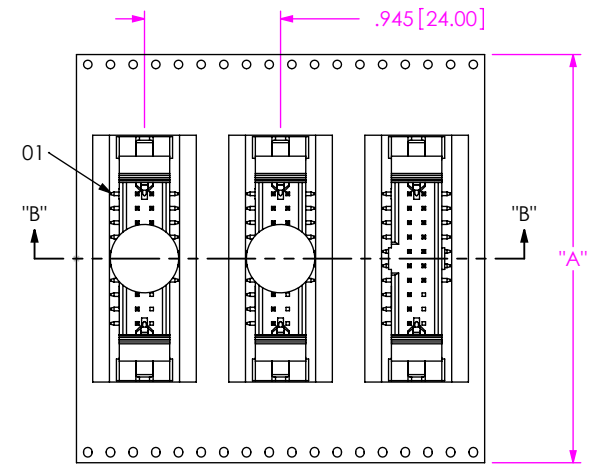
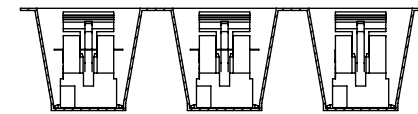


FIG. 10
RIGHT ANGLE
(SEE NOTE 6)

TUBE: PT-1-24-01-131
PLUG: TP-26



USER DIRECTION OF UN-REELING →
POCKET NOT DETAILED



SECTION "B"- "B"
SCALE 0.75 : T

TABLE 2	
No OF POS	"A"
-05	2.205 [56.00]
-07	2.205 [56.00]
-10	2.835 [72.00]
-15	3.465 [88.00]
-20	3.465 [88.00]

TOTAL PARTS PER REEL: 125

FIG. 7
-TR TAPE & REEL PACKAGING

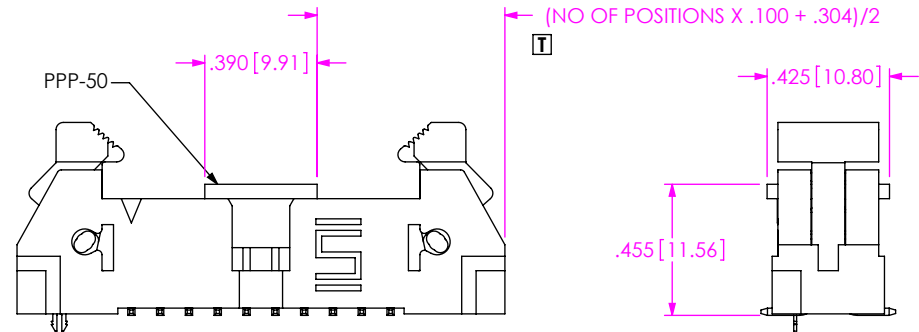


FIG. 6
-P: PICK & PLACE PAD

PROPRIETARY NOTE
THIS DOCUMENT CONTAINS INFORMATION CONFIDENTIAL AND PROPRIETARY TO SAMTEC, INC. AND SHALL NOT BE REPRODUCED OR TRANSFERRED TO OTHER DOCUMENTS OR DISCLOSED TO OTHERS OR USED FOR ANY PURPOSE OTHER THAN THAT WHICH IT WAS OBTAINED WITHOUT THE EXPRESSED WRITTEN CONSENT OF SAMTEC, INC.

DO NOT SCALE DRAWING

SHEET SCALE: 1:0.666667



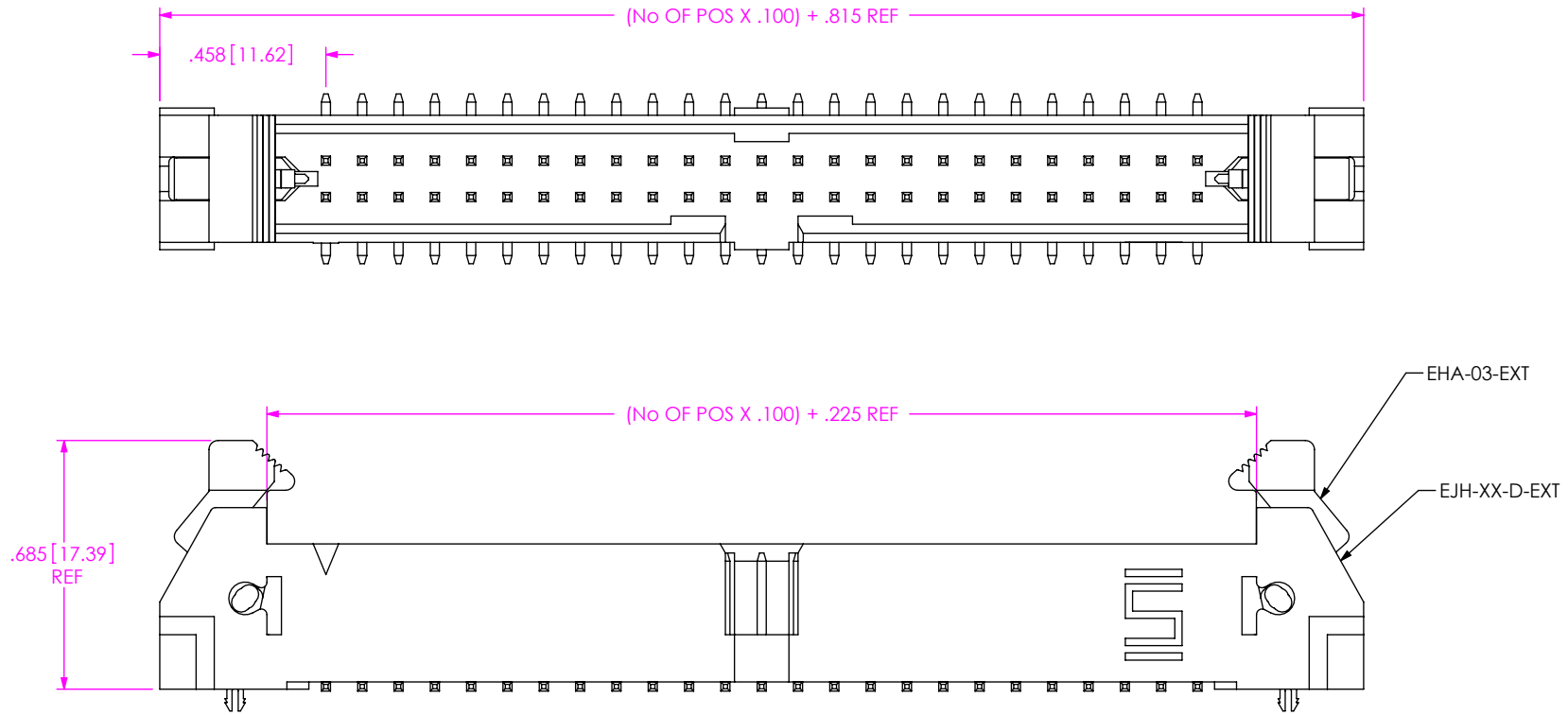
520 PARK EAST BLVD, NEW ALBANY, IN 47150
PHONE: 812-944-6733 FAX: 812-948-5047
e-Mail: info@SAMTEC.com code: 55322


DESCRIPTION:
.100 x .100 EJECTOR HEADER ASSEMBLY

DWG. NO.
EJH-1XX-XX-XX-D-XX-XX-XX

BY: ERIC M. 09/19/01 SHEET 3 OF 4

FIG. 11
 -02 LEAD STYLE
 (SAME AS FIG. 1, UNLESS OTHERWISE STATED)
 (EJH-125-02-X-D-SM-LC SHOWN)



<p>PROPRIETARY NOTE THIS DOCUMENT CONTAINS INFORMATION CONFIDENTIAL AND PROPRIETARY TO SAMTEC, INC. AND SHALL NOT BE REPRODUCED OR TRANSFERRED TO OTHER DOCUMENTS OR DISCLOSED TO OTHERS OR USED FOR ANY PURPOSE OTHER THAN THAT WHICH IT WAS OBTAINED WITHOUT THE EXPRESSED WRITTEN CONSENT OF SAMTEC, INC.</p> <p>DO NOT SCALE DRAWING</p> <p>SHEET SCALE: 2:1</p>		
	<p>520 PARK EAST BLVD, NEW ALBANY, IN 47150 PHONE: 812-944-6733 FAX: 812-948-5047 e-Mail: info@SAMTEC.com code: 55322</p>	
	<p>DESCRIPTION: .100 x .100 EJECTOR HEADER ASSEMBLY</p>	
	<p>DWG. NO. EJH-1XX-XX-XX-D-XX-XX-XX</p>	
<p>BY: ERIC M. 09/19/01</p>		<p>SHEET 4 OF 4</p>