

SUMMARY

Wires

Low voltage 19

Image is for illustrative purpose only

Series 2M
Termination type Female print PCB
IP rating 68
AWG wire size 22.00 - 22.00
Cable Ø 0.00 - 0.00 mm
Status active
Matching parts [FGP.2M.319.CLCT](#)

Download

[Request a quote](#)
[PCB Eagle Pattern](#)
[PCB Altium Pattern](#)
[PCB KiCad Pattern](#)
[Catalog](#)

TECHNICAL DETAILS

Mechanics

Shell Style/Model HE*: Fixed receptacle, nut fixing for printed circuit, watertight
Keying 3 keys (beta=150, gamma=60, plug: male contacts, receptacle: female contacts)
Housing Material Brass (chrome plated) shell and collet nut, nickel plated brass latch sleeve and mid pieces
Variant P : Watertight
Weight 19.54 g

Performance

Configuration 2M.319 : 19 Low Voltage
Insulator L: PEEK
Rated Current 4 Amps

Specifications

Contact Type: Print (straight)
Contact Dia.: 0.7 mm (0.028in)
R (max): 6.1 mOhm
Test voltage (kV rms) Contact-contact: 1.20
Test voltage (kV rms) Contact-shell: 1.00

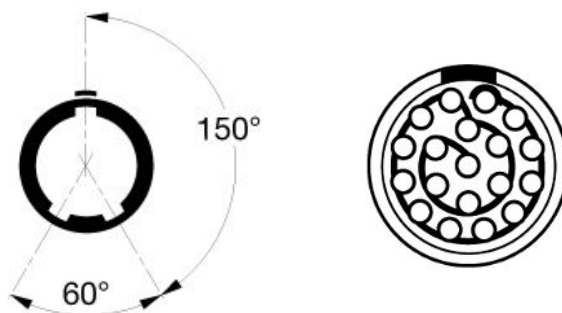
Others

LEMO products and services are provided "as is". LEMO makes no warranties or representations with regard to LEMO product & services or use of them, express, implied or statutory, including for accuracy, completeness, or security. The user is fully responsible for his products and applications using LEMO components.

Endurance (Shell): 3000 mating cycles
Temp (min / max): -20°C / +80°C
Humidity (max): 21 days at 95%
Gunfire vibration: 25 Hz - 2000 Hz, 3 axis (Apache helicopter)
Vibration-Sine: 30 g, 3 axes, 12 hr [10 Hz - 2000 Hz]
Vibration-Random: 37.8 g rms - 3 axes, 4 hr amb [50 Hz - 2000 Hz]
Shock Resistance: 300 g [3 ms]
Lighting strike EIA 364-75: 10K amps - 6 times
Thermal shock: 5 cycles: -65°C to +150°C
EMI Shielding EIA 364-66A: >= 80 dB (1 GHz), >=70 dB (3 GHz), >= 58 dB (6 GHz), >= 40 dB (10 GHz)
Salt Spray Corrosion: >1000 hr

DRAWINGS

Draws



RECOMMENDED BY LEMO

Tools

Spanner wrench: [DCM.65.000.4PA](#)

Cables

LEMO products and services are provided "as is". LEMO makes no warranties or representations with regard to LEMO product & services or use of them, express, implied or statutory, including for accuracy, completeness, or security. The user is fully responsible for his products and applications using LEMO components.