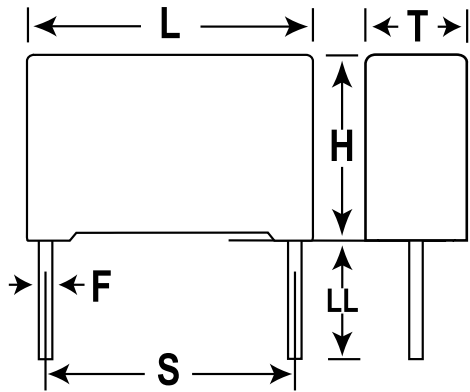


Capacitor, film, 2.2 uF, +/-5% Tol, -55/+105C, General Purpose, 250 VDC@85C, Lead Spacing=27.5 mm



Dimensions (mm)		
Symbol	Dimension	Tolerance
L	32	+0.3
H	20	+0.1
T	11	+0.2
S	27.5	+/-0.4
LL	4	+1.5
F	0.8	+/-0.05

Notes:

-L,H,T are nominal dimensions and do not imply a minimum.

General Information	
Supplier:	KEMET
Dielectric:	Metallized Polypropylene
Application:	General Purpose
Style:	Radial Box
Lead Form:	Cut
RoHS:	Yes

Specifications	
Capacitance:	2.2 uF
Voltage:	250 VDC
Tolerance:	+/-5%
Voltage AC:	160 VAC
Rated Temperature:	85C
Temperature Range:	-55/+105C
Dissipation Factor @ 1 kHz:	0.06%
Insulation Resistance:	13.64 GOhm
Inductance:	18
Maximum dVdT:	100 v/us
Miscellaneous:	Above 85C DC and AC voltage derating is 1.25%/C

Packaging Specifications	
Package Kind:	Bulk
Package Quantity:	560