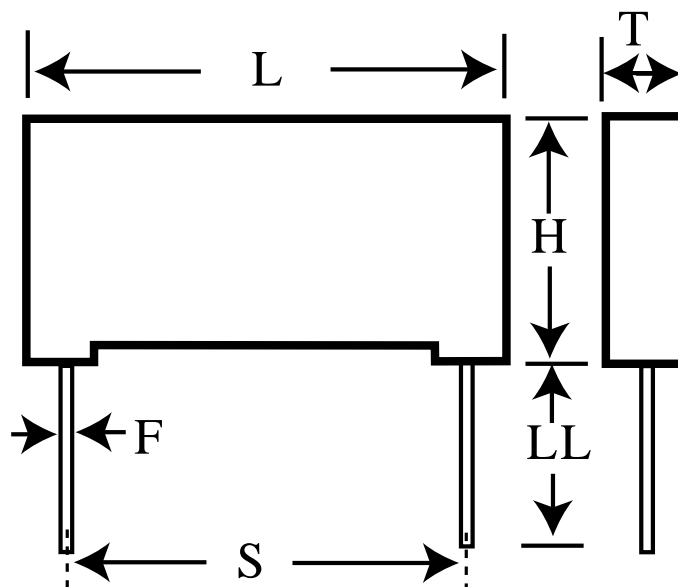


PHE426MB5470JR17T0

aka F426BD473J630L PHE426MB5470JB04R17T0

Capacitor, film, 0.047 uF, +/-5% Tol, -55/+105C, General Purpose, 630V@85C, Lead Spacing=15 mm



Dimensions (mm)

| ID | Dimension | Tolerance |
|----|-----------|-----------|
| L | 18 | max |
| H | 10.5 | max |
| T | 5.5 | max |
| S | 15 | +/-0.4 |
| LL | 17 | nom |
| F | 0.8 | nom |

Specifications

| | |
|-------------------------------------|--|
| Manufacturer: | KEMET |
| Brand: | Rifa |
| Capacitance: | 0.047 uF |
| Temperature Range: | -55/+105C |
| Rated Temperature: | 85C |
| Voltage @ rated temp: | 630V |
| Voltage AC: | 250VAC |
| Tolerance: | +/-5% |
| Body Type: | Radial Box |
| Construction: | Wound |
| Application: | General Purpose |
| Sub Application: | Pulse |
| Dissipation Factor @ 1 kHz: | 0.05% |
| Dissipation Factor @ 100kHz: | 0.25% |
| Insulation Resistance: | 100 GOhm |
| Inductance: | 6 nH |
| Maximum dVdT: | 300v/us |
| Miscellaneous Electrical: | IEC 60384-16, 1.1; Rthha [85C/2.m/s] = 99 C/W series(PHE426) |
| Package Kind: | T&R |
| Package Size: | 360mm |
| Package Quantity: | 600 |