

1

2

3

4

A

B

C

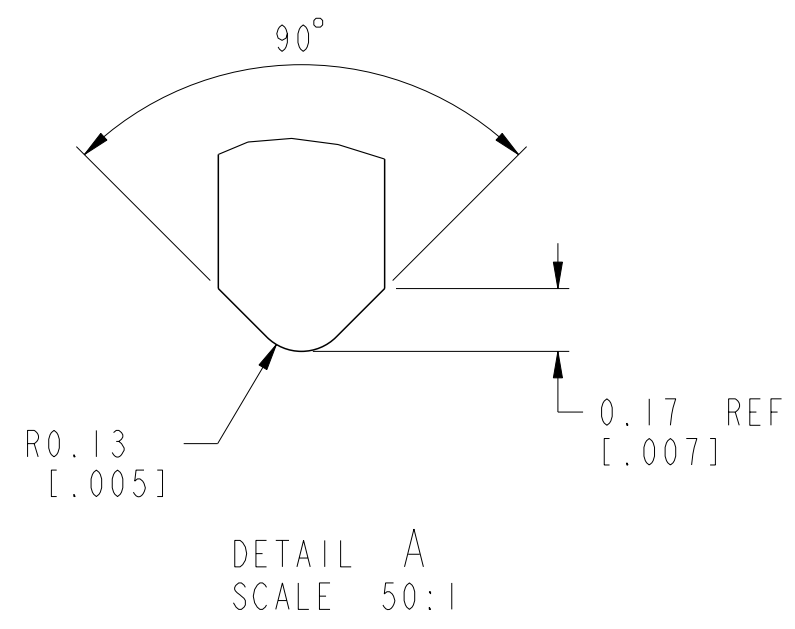
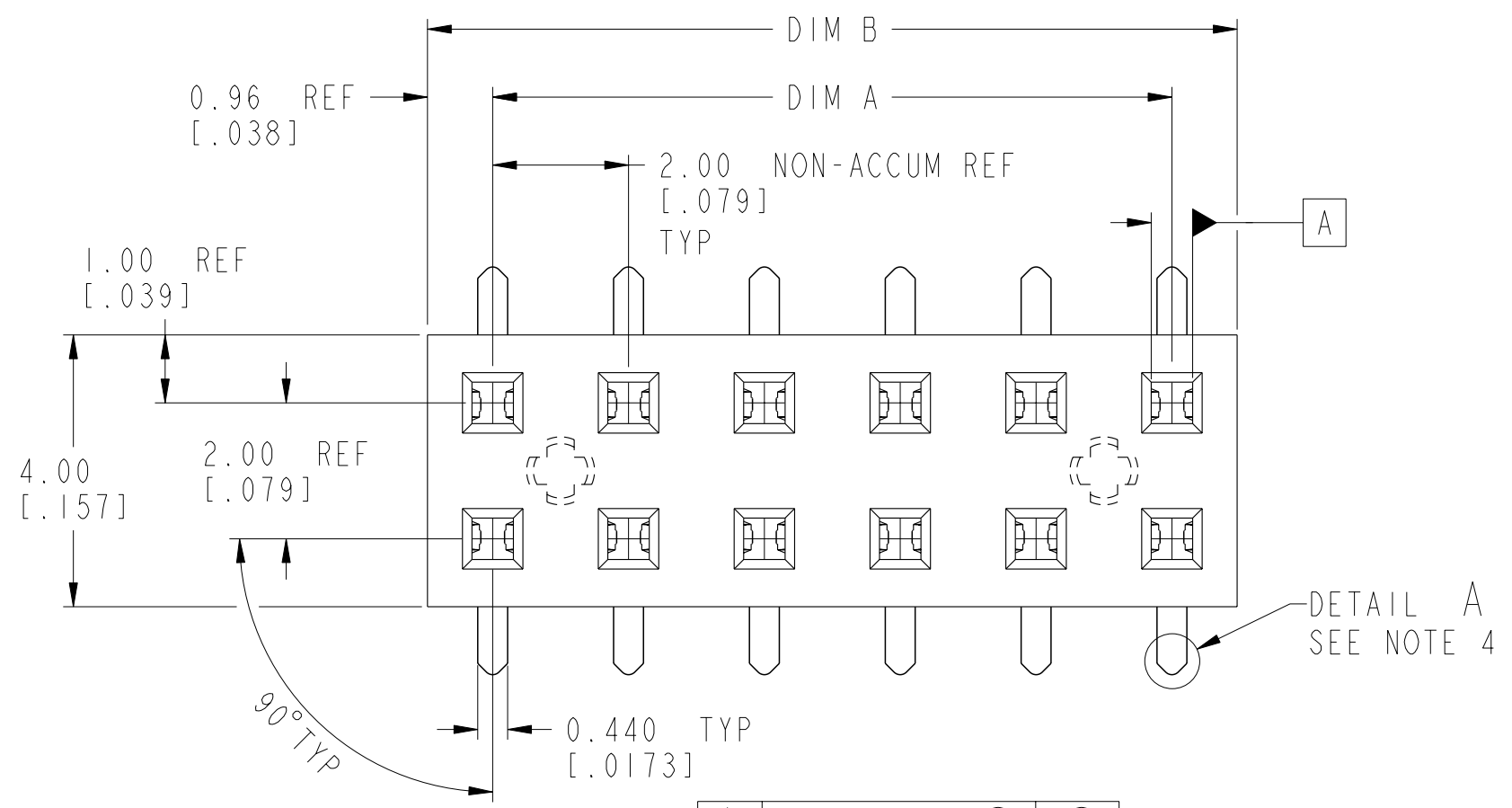
D

A

B

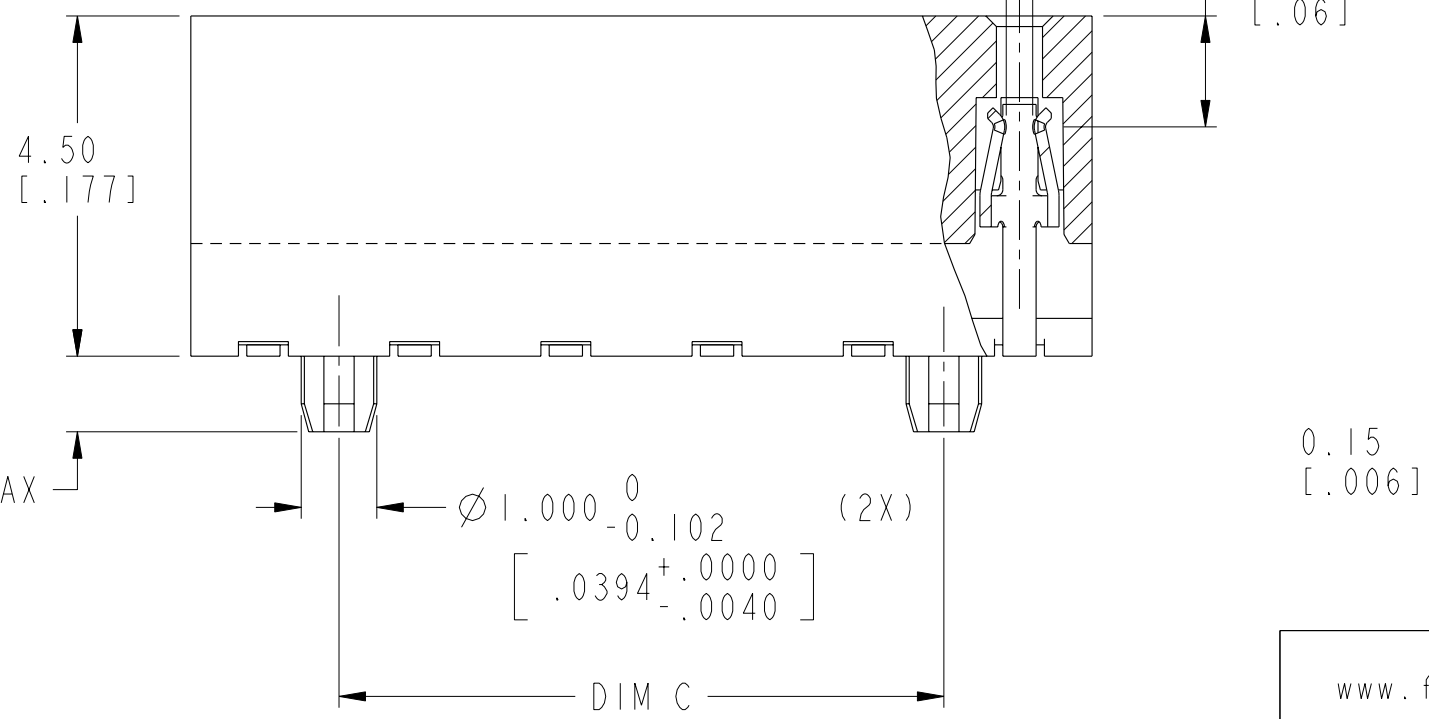
C

D



DETAIL A
SEE NOTE 4

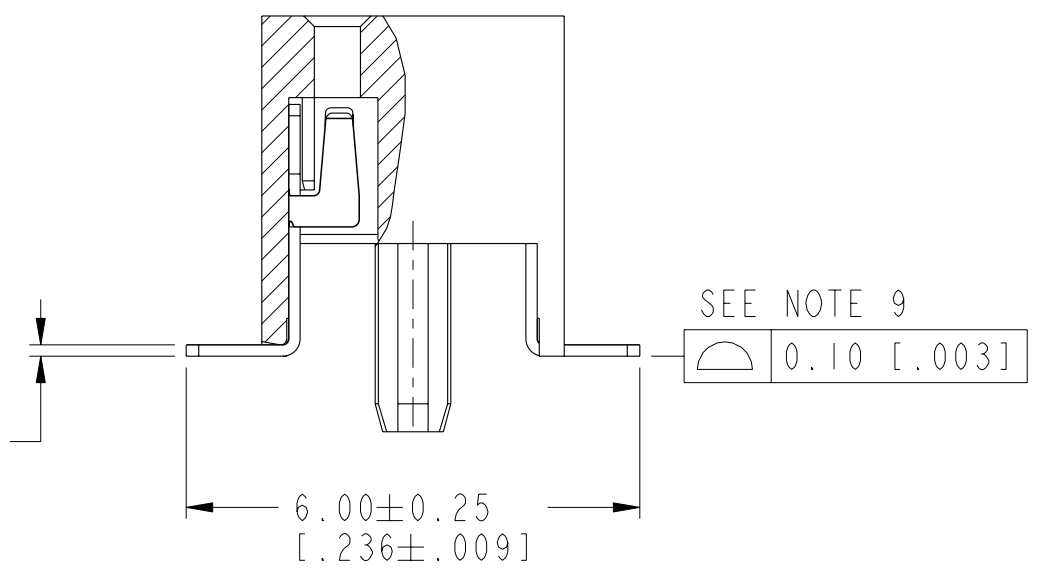
DETAIL A
SCALE 50:1



1.5 REF
[.06]

1.00 MAX
[.039]

$\text{Ø } 1.000 \text{ } ^0_{-0.102} \text{ (2X)}$
 $\text{.0394 } ^{+.0000}_{-.0040}$



0.15 REF
[.006]

SEE NOTE 9
 $\text{R } 0.10 \text{ [.003]}$

CONFIDENTIAL

www.fciconnect.com			surface - ✓ ISO 1302	tolerance std ISO 406 ISO 1101	projection MM/INCH
TOLERANCES UNLESS OTHERWISE SPECIFIED					
Dr	JPEH	2002-07-22	ANGULAR	x.xx/xx	±0.3/.01
Eng	JPEH	2002-07-22	LINEAR	x.xx/.xxx	±0.13/.005
Chr	KH LEE	2010-10-14	0° ±2°	x.xxx/.xxxx	±0.051/.0020
Appr	JOEY NG	2010-10-14	Product family	LPVCC	Spec ref -
FCI			LOW PROFILE VCC 4.5 T.E.SMT ASSY		Rev. F
			WITH 1.00/.039 LOCATING FEATURES		55533
catalog no			CUSTOMER		sheet 1 of 3

rev	ecn no	dr	date
A	S10156	JPEH	2001-11-15
B	S20095	JPEH	2002-07-22
C	S04-0278	KBM	2005-01-07
D	S09-0197	KHL	2009-06-10
E	S10-0022	KHL	2010-01-28
F	S10-0207	SM	2010-10-14
-	-	-	-



Copyright FCI.

PRODUCT NO	POSITIONS	DIM. A	DIM.B	DIM.C
55533-X06	2 X 3	4.00 / .158	5.92 / .233	2.00 / .079
55533-X08	2 X 4	6.00 / .236	7.92 / .312	4.00 / .158
55533-X10	2 X 5	8.00 / .315	9.92 / .391	6.00 / .236
55533-X12	2 X 6	10.00 / .394	11.92 / .469	8.00 / .315
55533-X14	2 X 7	12.00 / .472	13.92 / .548	10.00 / .394
55533-X16	2 X 8	14.00 / .551	15.92 / .627	12.00 / .472
55533-X18	2 X 9	16.00 / .630	17.92 / .706	14.00 / .551
55533-X20	2 X 10	18.00 / .709	19.92 / .784	16.00 / .630
55533-X22	2 X 11	20.00 / .787	21.92 / .863	18.00 / .709
55533-X24	2 X 12	22.00 / .866	23.92 / .942	20.00 / .787
55533-X26	2 X 13	24.00 / .945	25.92 / 1.020	22.00 / .866
55533-X28	2 X 14	26.00 / 1.024	27.92 / 1.099	24.00 / .945
55533-X30	2 X 15	28.00 / 1.102	29.92 / 1.178	26.00 / 1.024
55533-X32	2 X 16	30.00 / 1.181	31.92 / 1.257	28.00 / 1.102
55533-X34	2 X 17	32.00 / 1.260	33.92 / 1.335	30.00 / 1.181
55533-X36	2 X 18	34.00 / 1.339	35.92 / 1.414	32.00 / 1.260
55533-X38	2 X 19	36.00 / 1.417	37.92 / 1.493	34.00 / 1.339
55533-X40	2 X 20	38.00 / 1.496	39.92 / 1.572	36.00 / 1.417
55533-X42	2 X 21	40.00 / 1.575	41.92 / 1.650	38.00 / 1.496
55533-X44	2 X 22	42.00 / 1.654	43.92 / 1.729	40.00 / 1.575
55533-X46	2 X 23	44.00 / 1.732	45.92 / 1.808	42.00 / 1.654
55533-X48	2 X 24	46.00 / 1.811	47.92 / 1.887	44.00 / 1.732
55533-X50	2 X 25	48.00 / 1.890	49.92 / 1.965	46.00 / 1.811

PLATING OPTIONS OVER CONTACT AREA
0 = 0.05μm/2μ"Au
1 = 0.76μm/30μ"Au
3 = 0.38μm/15μ"Au

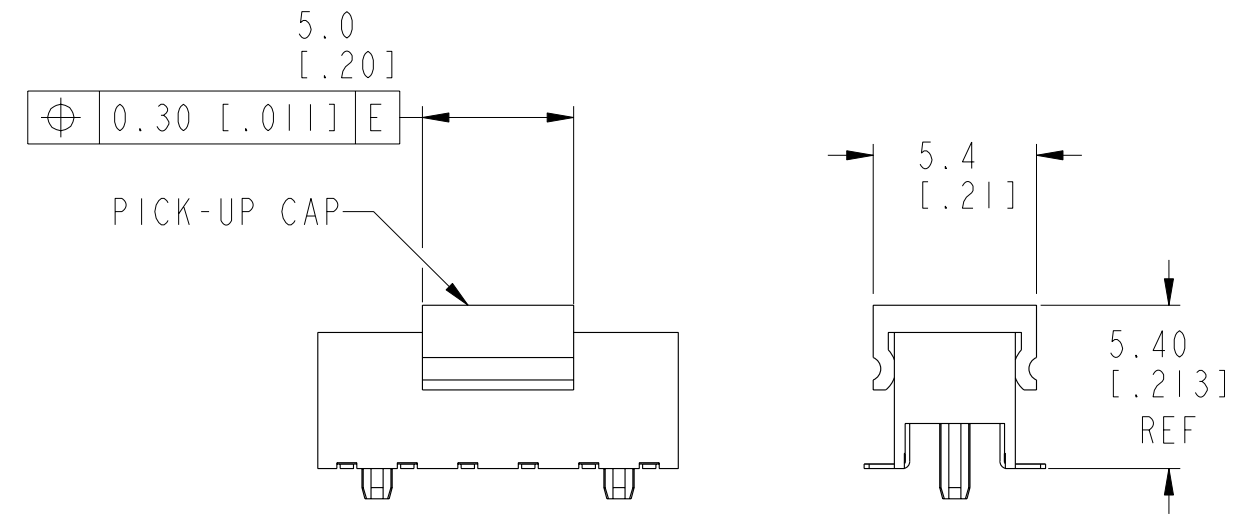
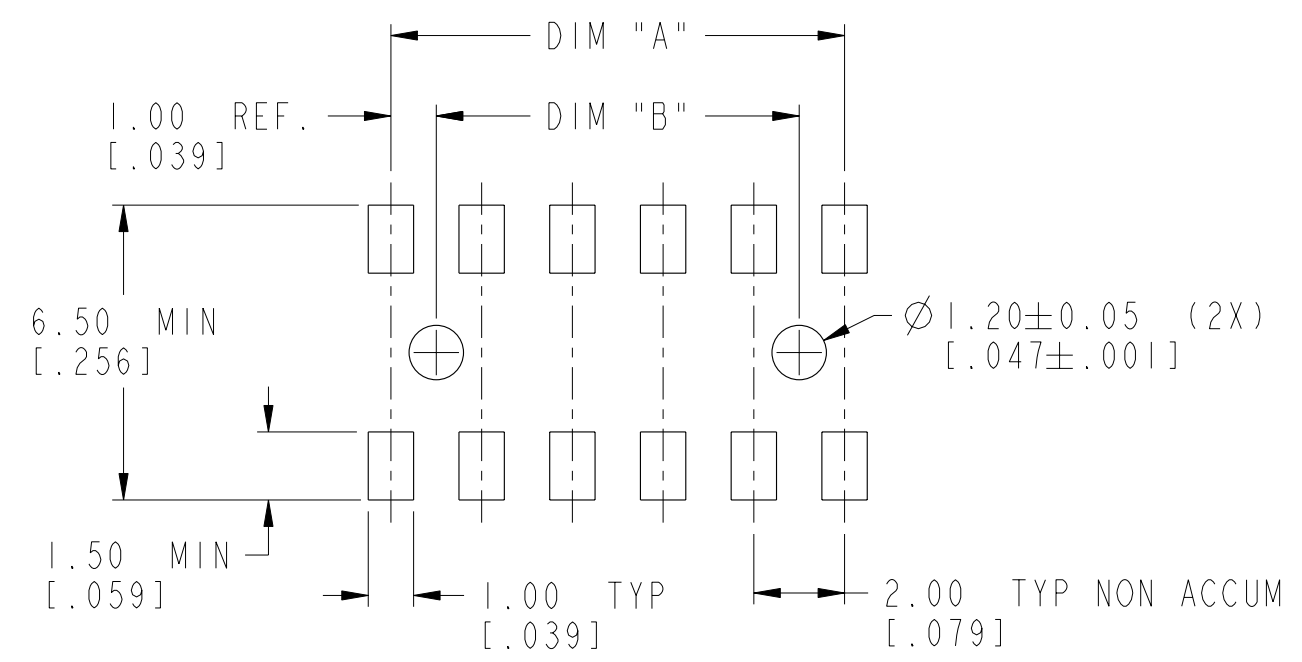


FIG 1
NOTE 7(b)



RECOMMENDED PAD LAYOUT

www.fciconnect.com			surface <input checked="" type="checkbox"/> ISO 1302	tolerance std ISO 406 ISO 1101	projection <input checked="" type="checkbox"/> <input type="checkbox"/>	MM/INCH
			TOLERANCES UNLESS OTHERWISE SPECIFIED			
Dr	JPEH	2002-07-22	ANGULAR	LINEAR	x.xx/xx	±0.3/.01
Eng	JPEH	2002-07-22			x.xx/.xxx	±0.13/.005
Chr	KH LEE 2010-10-14		0° ±2°		x.xxx/.xxxx	±0.051/.0020
Appr	JOEY NG 2010-10-14		Product family		LPVCC	Spec ref -
FCI			LOW PROFILE VCC 4.5 T.E.SMT ASSY WITH 1.00/.039 LOCATING FEATURES			Rev. F
catalog no			-			55533
			CUSTOMER		sheet 2 of 3	

CONFIDENTIAL

NOTES:

- 1. HOUSING MATERIAL : HIGH TEMP PLASTIC.
- 2. TERMINAL MATERIAL : PHOSPHOR BRONZE
- 3. TERMINAL RETENTION 0.5Kg/1.1 Lbs.
- ④ 'V' CUT OPTIONAL - MANUFACTURING PROCESS OPTION.
- 5. SOLDER TAILS ARE TIN/LEAD PLATED FOR P/N : 55533-XXX.
- ⑥ SOLDER TAILS ARE 100% MATTE TIN PLATED FOR P/N : 55533-XXXLF.
- ⑦ PRODUCT DESCRIPTION CODE:



- 8. PACKAGING:
 - (a) XXXXX-XXX ---STD PACKAGING IN TUBE
 - (b) XXXXX-XXXTR ---TAPE AND REEL PACKAGING WITH PICK-UP CAP. (FIG 1)
 - (b) XXXXX-XXXTRN ---TAPE AND REEL PACKAGING WITH PICK-UP CAP.

- ⑨ CO-PLANARITY FROM POSITION - X04 THRU -X38 : 0.10/.004
 - X40 THRU -X50 : 0.12/.005

10. THE HOUSING WILL WITHSTAND EXPOSURE TO 255°C PEAK TEMPERATURE FOR 10 SECONDS IN A CONVECTION, INFRA-RED OR VAPOR PHASE REFLOW OVEN.

11. THE HOUSING WILL WITHSTAND EXPOSURE TO 260°C PEAK TEMPERATURE FOR 10 SECONDS IN A WAVE SOLDER APPLICATION WITH A MINIMUM 1.57mm THICK CIRCUIT BOARD.

⑫ THIS PRODUCT MEETS EUROPEAN UNION DIRECTIVES AND OTHER COUNTRY REGULATIONS AS DESCRIBED IN GS-22-008.

13. A SYMBOL WILL BE NEXT TO ANY DIMENSION, VIEW OR NOTE WHICH HAS BEEN MODIFIED WITH THE CURRENT DRAWING REVISION.

CONFIDENTIAL

www.fciconnect.com			surface <input checked="" type="checkbox"/> ISO 1302	tolerance std <input checked="" type="checkbox"/> ISO 406 <input type="checkbox"/> ISO 1101	projection	MM/ INCH
TOLERANCES UNLESS OTHERWISE SPECIFIED						
Dr	JPEH	2002-07-22	ANGULAR	LINEAR	X.X/.XX	±0.3/.01
Eng	JPEH	2002-07-22			X.XX/.XXX	±0.13/.005
Chr	KH LEE	2010-10-14	0°	±2°	X.XXX/.XXXX	±0.051/.0020
Appr	JOEY NG	2010-10-14	Product family		LPVCC	Spec ref -
			title LOW PROFILE VCC 4.5 T.E.SMT ASSY		dwg no 55533	Rev. F
			WITH 1.00/.039 LOCATING FEATURES		CUSTOMER	sheet 3 of 3
			catalog no -			