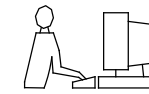


TOLERANCE UNLESS OTHERWISE SPECIFIED	
.X	±0.35
.XX	±0.25
.XXX	±0.15

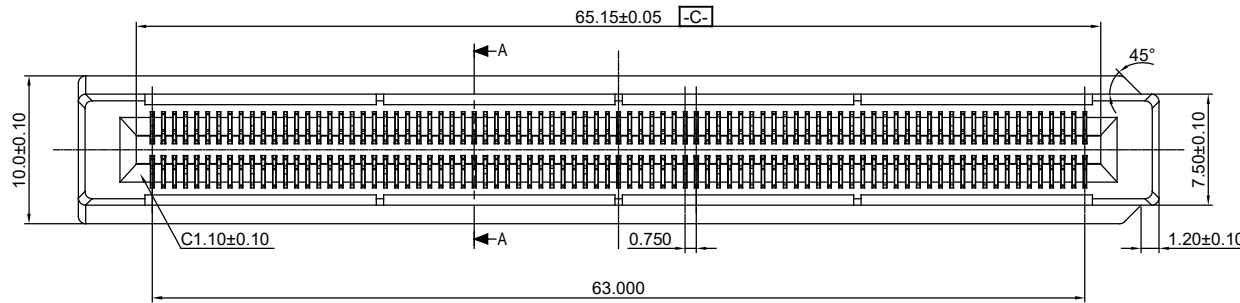
THIS IS A C.A.D. GENERATED DRAWING
DO NOT MAKE MANUAL REVISIONS TO MASTER.



ISSUE NUMBER

ORIGINAL

①



NOTES:

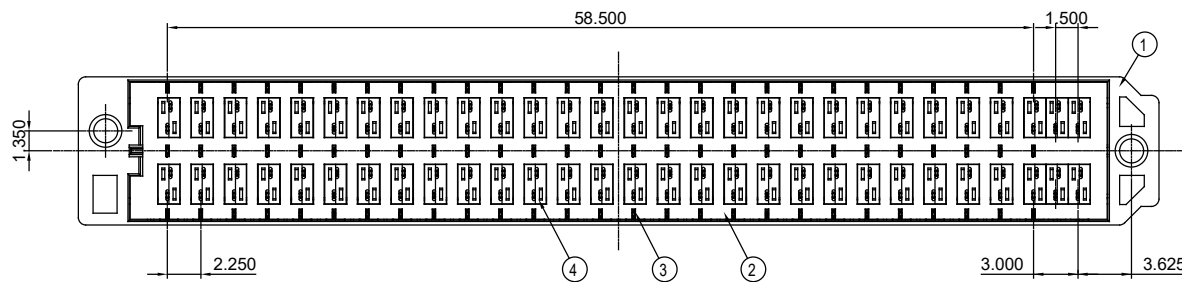
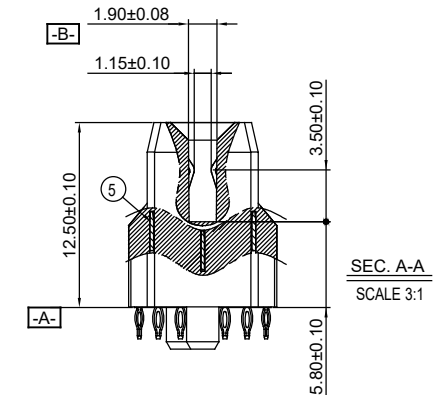
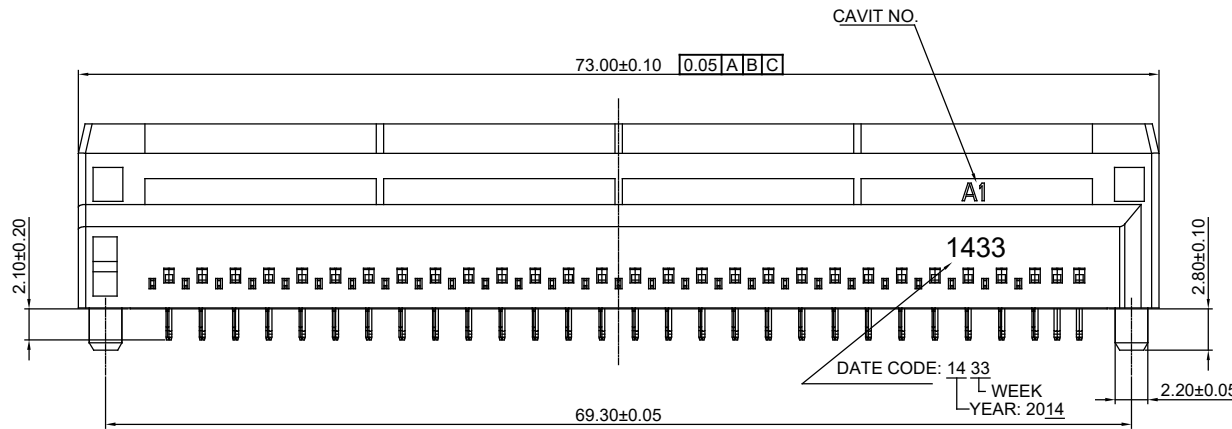
MATERIAL:

HOUSING:

SIGNAL CONTACT:

GROUND CONTACT:

L.C.P GLASS FILLED, UL-94V-0 COLOR: BLACK
COPPER ALLOY
GOLD FLASH PLATING ON CONTACT AREA
MATTE TIN PLATING ON SOLDER TAIL OVER NICKEL UNDER PLATING
COPPER ALLOY
GOLD FLASH PLATING ON CONTACT AREA
MATTE TIN PLATING ON SOLDER TAIL OVER NICKEL UNDER PLATING



5	GROUND PAD	3	COPPER ALLOY	100~200 μ" NICKEL
4	INSERT MOLDING	58	GLASS FILLED LCP, UL94 V-0	BLACK
4	SIGNAL CONTACT	58	COPPER ALLOY	SEE NOTES
3	GROUND CONTACT	27	COPPER ALLOY	SEE NOTES
2	CAP	1	GLASS FILLED LCP, UL94 V-0	BLACK
1	HOUSING	1	GLASS FILLED LCP, UL94 V-0	BLACK
NO.	DESCRIPTION	QTY.	MATERIAL	FINISH / COLOR

PCB SOCKET, VERTICAL PRESS FIT
W/ GROUNDING PAD, 170 CONTACTS, FEMALE

ACAD REFERENCE NO.: 171-170-231-012

DRAWN: W.T

DATE: JULY.03 /2018

CHECKED:

DATE:

SCALE: N.T.S

SHEET 1 OF 1

DRAWING NUMBER: 171-170-231-012

ISSUE

PART NUMBER: 171-170-231-012

1



THIS SERIES FULLY CONFORMS TO
THE EUROPEAN UNION DIRECTIVES
2011/65/EU FOR RoHS COMPLIANCY.



YOUR CONNECTION TO QUALITY & SERVICE

EDAC INC
TORONTO, ONTARIO
CANADA

THESE DRAWINGS AND SPECIFICATIONS
ARE THE PROPERTY OF EDAC INC., AND
SHALL NOT BE REPRODUCED, OR COPIED
OR USED AS THE BASIS FOR THE
MANUFACTURE OR SALE OF APPARATUS
WITHOUT WRITTEN PERMISSION.