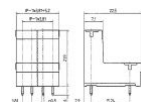
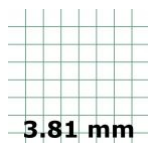


11957.1

STL 1570/14/3,81-V-G GN

STL 1570/14/3,81-V-G GN



Male pin block, No. of poles: 14, Width: 54.73 mm, Colour: Green

Business data

Connector version	Attached plug-in connector
Packaging unit	50
Quantity unit	PC
Packaging type	Carton
Type of banding	Without
Weight per piece (not including packaging)	12.6
Weight per piece (including packaging)	13.7
Unit of weight	G
Customs number	85366930
Country of origin	QU

11957.1

STL 1570/14/3,81-V-G GN

STL 1570/14/3,81-V-G GN

Technical Data

Dimensions

Length	22.5 mm
Length of the pin	3.4 mm
Width	54.73 mm
Width left	2.6 mm
Width right	2.6 mm
Height	21.9 mm
Drill hole diameter	1.2 mm
Diameter of connecting pin	0.8 mm
Pitch	3.81 mm

Ratings

Rated voltage	160 V
Rated current	10 A
Rated impulse voltage	2.5 kV
Overvoltage category	III
Contamination degree	3

11957.1

STL 1570/14/3,81-V-G GN

STL 1570/14/3,81-V-G GN

Technical Data

Connection data

Angle of PCB/contact	90° (vertically upwards)
Number of plug-in rows	2
No. of poles	14

Materials

Insulation housing	Polybutylene terephthalate
Flammability class UL 94	V-0
Working temperature, min.	-30 °C
Working temperature, max.	105 °C
Contact pin	Copper alloy

11957.1

STL 1570/14/3,81-V-G GN

STL 1570/14/3,81-V-G GN

Technical Data

Further technical data

Storage temperature, min.	-40 °C
Storage temperature, max.	105 °C
Insulation resistance	1*10 ¹³ Ohm x cm
Creepage-current resistance	CTI 175
Glow wire flammability index GWFI	GWFI 850
GWFI after-glow time	30 Sek.
Glow wire ignition temperature GWIT	GWIT 775 °C
GWIT exposure time	5 Sek.
Plug-in cycles acc. to standard	100
Recommended wave soldering temperature	265 °C
Recommended wave soldering duration, min.	3 Sek.
Recommended wave soldering duration, max.	4 Sek.

11957.1

STL 1570/14/3,81-V-G GN

STL 1570/14/3,81-V-G GN

Approvals

cUL Recognized

cUL Recognized	CSA 22.2 No.158
cUL Recognized	✓
cUL Usegroup B: rated voltage	300 V
cUL Usegroup B: rated current	10 A
cUL Usegroup D: rated voltage	300 V
cUL Usegroup D: rated current	10 A
cUL wire material	Cu

UL Recognized

UL Recognized	UL 1059
UL Recognized granted	✓
UL Usegroup B: rated voltage	300 V
UL Usegroup B: rated current	10 A
UL Usegroup D: rated voltage	300 V
UL Usegroup D: rated current	10 A
UL wire material	Cu
UL factory wiring	✓

11957.1

STL 1570/14/3,81-V-G GN

STL 1570/14/3,81-V-G GN

Approvals

VDE approval

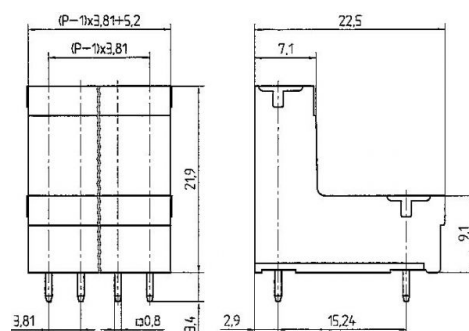
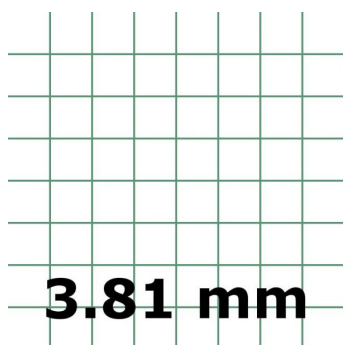
VDE approval	DIN EN 61984
VDE approval granted	✓
VDE rated voltage	160 V
VDE rated current	10 A
VDE rated impulse voltage	2.5 kV
VDE overvoltage category	III
VDE contamination degree	3

11957.1

STL 1570/14/3,81-V-G GN

STL 1570/14/3,81-V-G GN

Media



CRV[®] US

