

PRODUCT NUMBER
75168-YXX-XXLF

INDICATES THE PRODUCT IS RoHS COMPLIANT
& COMPATIBLE, SEE NOTE 8

TOTAL NB OF POSITIONS 02 TO 36

PLATING:

PIN STYLE SEE SHEET 2

1 = 0.76µm FULL GOLD/GXT, OVER 1.27µm Ni MIN

3 = 3.81µm FULL TIN/LEAD OVER 1.27µm Ni MIN.

WHEN "LF" IS REQUIRED, 2µm MATTE TIN OVER
1.27µm MIN NICKEL IS PROVIDED INSTEAD OF TIN-LEAD

8 = 0.38µm FULL GOLD/GXT, OVER 1.27µm Ni MIN

NOTES:

1. HOUSING MAT'L : HIGH TEMPERATURE THERMOPLASTIC
FLAME RETARDANT PER UL94-V0, COLOR BLACK.

2. PIN MATERIAL : PHOSPHOR BRONZE.

3. DIM 1.27^{+0.03} FOR MOULDED SIDE(S)
ONLY. IF SIDE(S) ARE BROKEN, DIM 1.02
TO 1.7 MAX APPLIES.

4. PIN PUSH OUT FORCE : 12N MIN.

5. PRODUCT PACKAGED IN POLY BAGS.

6. TO DETERMINE DIMENSIONS :
N = NUMBER OF POSITIONS
EXAMPLE : 8 POS N x 2.54 = 20.32mm

7. FOR STANDARD SELECTIVE GOLD PLATED
PRODUCTS, SEE DRAWING 77315.

8. RoHS COMPATIBLE PRODUCT SPECIFICATIONS

a - SUFFIX "LF" IS ADDED JUST FOR EASY
LEADFREE IDENTIFICATION FOR PLATING VERSION 1 & 8.

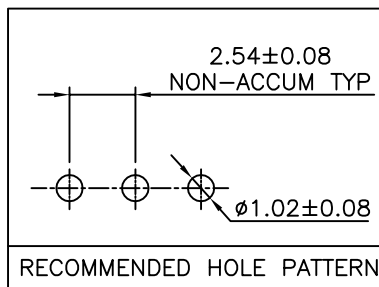
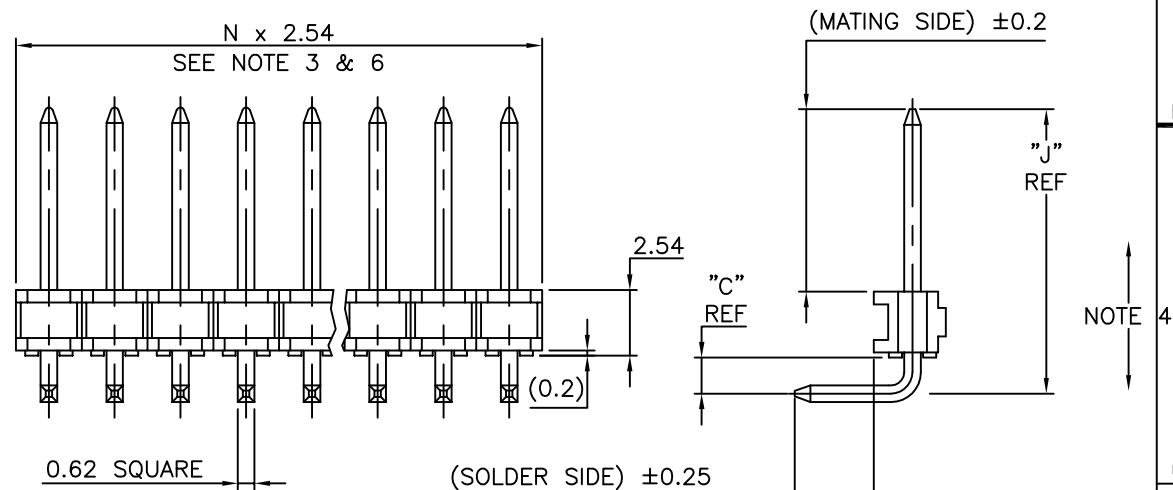
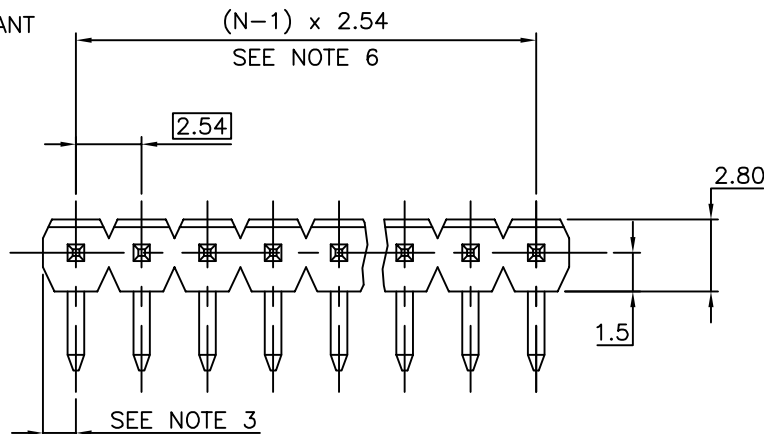
b - MANUFACTURING PROCESS COMPATIBILITY

- THE HOUSING WILL WITHSTAND EXPOSURE TO
260°C ±5°C SOLDER BATH TEMPERATURE FOR
5 SECONDS IN A WAVE SOLDER APPLICATION
WITH A 1.6mm MIN THICK CIRCUIT BOARD.

c - LABELING:

- MEETS PACKAGING SPECS AS PER GS-14-920

d - LEGAL STATEMENT: SEE GS-22-008



mat'l. code SEE NOTE 1		surface ISO 1302	tolerance ISO 406 ISO 1101	projection	product family BSTIK
ltr	ecn no	dr	date	tolerances unless otherwise specified	title
AG	F06-0196	LMU	06.06.20	angles	HEADER,SR,RA, POL,2.54mm
AH	F08-0148	JCO	08.05.27	linear	
AJ	F12-0042	LMU	12.04.04	.x ±0.3 .xx ±0.15 xxx ±0.05	scale 5:1
		dr	MULIN L	99.03.29	dwg no
AD	F20116	DLE	02.01.15	enfr JMC	99.03.29
AE	F20149	DLE	02.02.19	chr	99.03.29
AF	F05-0186	LMU	05.05.02	appd JMC	99.03.29
sheet index	revision sheet	AJ	AF		sheet 1 of 2 size
		1	2		75168 A3
					type CUSTOMER Drawing



FCIconnect.com

Copyright FCI

APPLICATION SPECIFIC				
PIN STYLE	MATING	SOLDER	"C"	"J"
01	5.72	2.57	1.4	9.65
02	5.72	5.11	1.4	9.65
03	5.72	7.65	1.4	9.65
04	5.72	10.19	1.4	9.65
05	5.72	12.73	1.4	9.65
06	5.72	15.27	1.4	9.65
07	5.72	5.11	3.94	12.19
08	5.72	7.65	3.94	12.19
09	5.72	10.19	3.94	12.19
10	5.72	12.73	3.94	12.19
11	5.72	15.27	3.94	12.19
13	5.72	3.45	1.4	9.65
14	5.72	5.99	3.94	12.19
15	5.72	8.53	6.48	14.73
16	8.51	3	1.4	12.45
17	8.51	5.54	3.94	14.99
19	5.72	3.05	1.4	9.66
20	5.84	2.29	1.4	9.78
21	5.72	11.07	9.02	17.27
22	11.71	3.2	1.4	15.65
23	3	2.94	1.94	7.44
24	4.8	6.16	1.94	9.28
27	3.55	3.3	1.4	7.49
28	10	3.2	1.4	13.94

mat'l. code		SEE SHEET 1		surface		tolerance		projection		product family	
				ISO 1302		ISO 406 ISO 1101				BSTIK	
ltr	ecn no	dr	date	tolerances unless otherwise specified				mm		title	
Y	F40199	JMC	94.03.11	angles	linear					HEADER,SR,RA, POL,2.54mm	
AA	F90191	LMU	99.03.29					scale			
AB	F00196	LMU	00.04.19							dwg no	
AC	F10167	LMU	01.03.12	dr	MULIN L	99.03.29			sheet 2 of -		size
AD	F20116	DLE	02.01.15	enfr	JMC	99.03.29			75168		A3
AE	F06-0196	LMU	06.06.20	chr					type		Drawing
AF	F12-0042	LMU	12.04.04	appd	JMC	99.03.29			CUSTOMER		
sheet index	revision sheet										