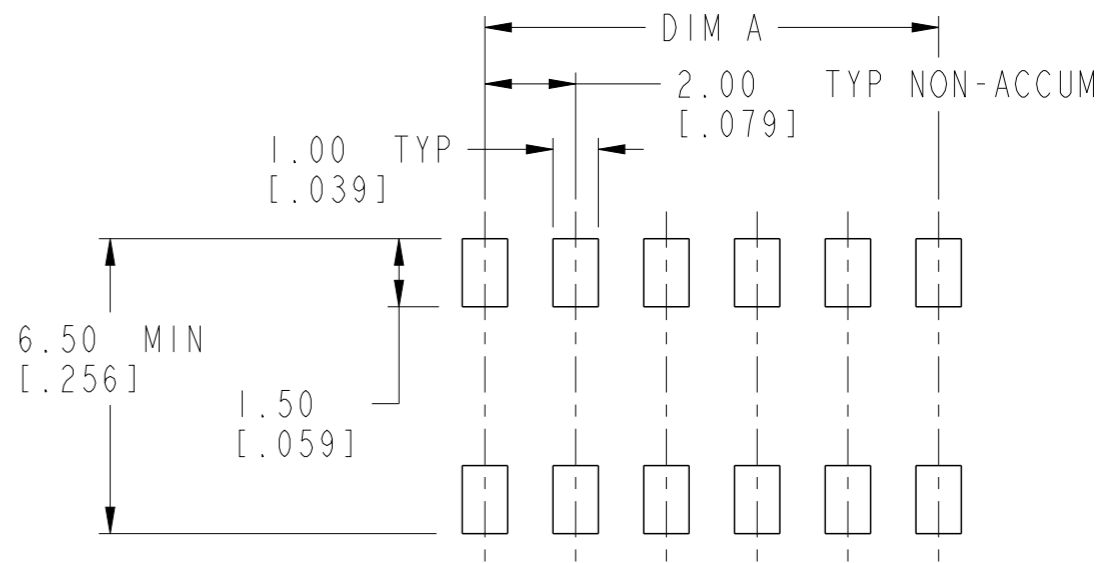
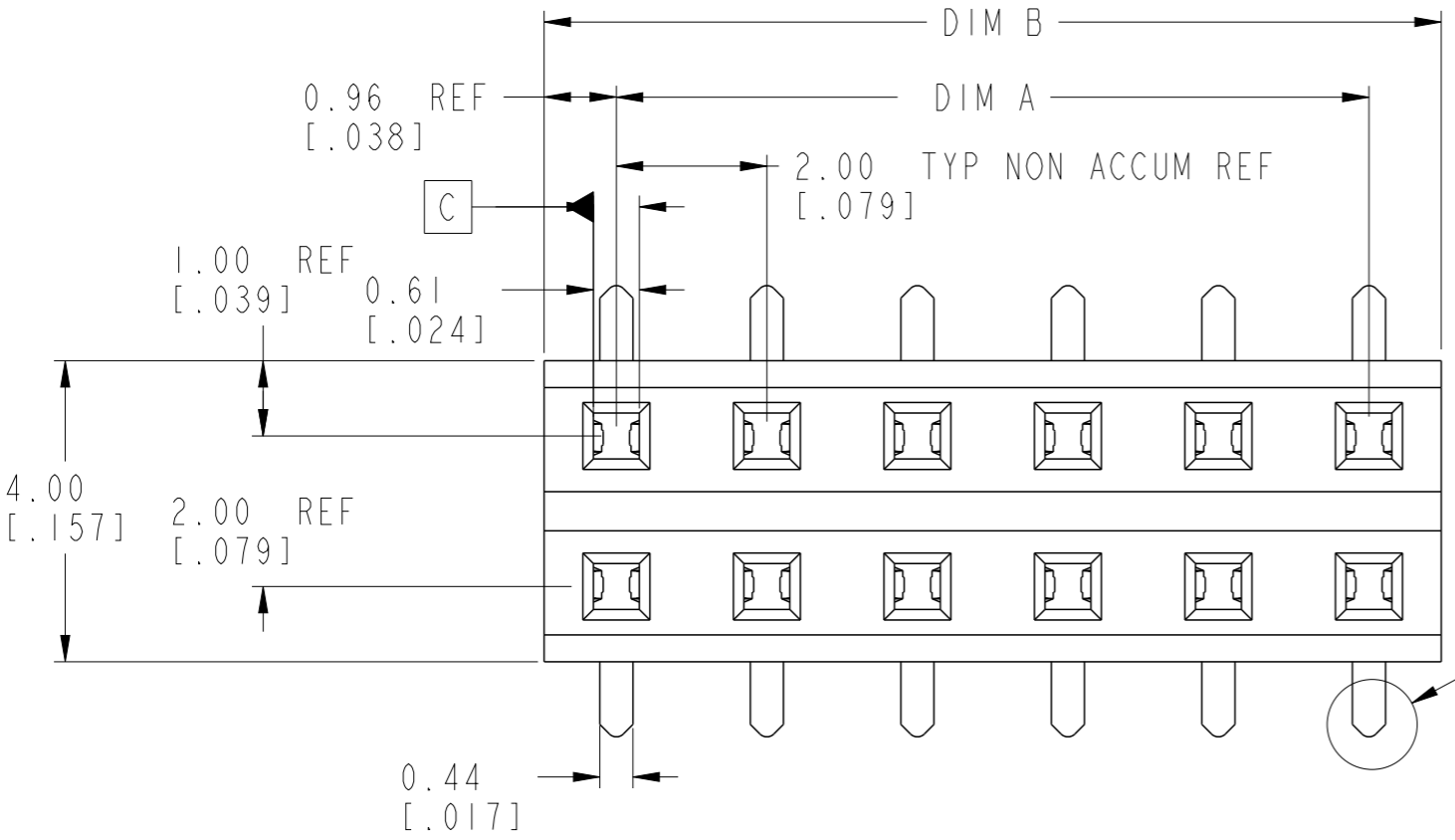




Copyright FCI.

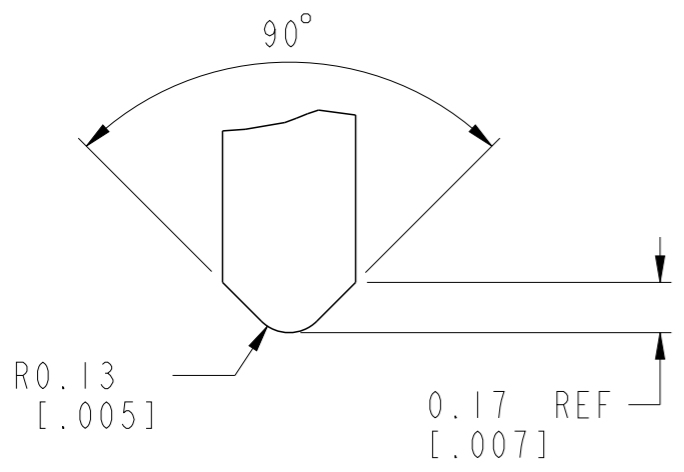
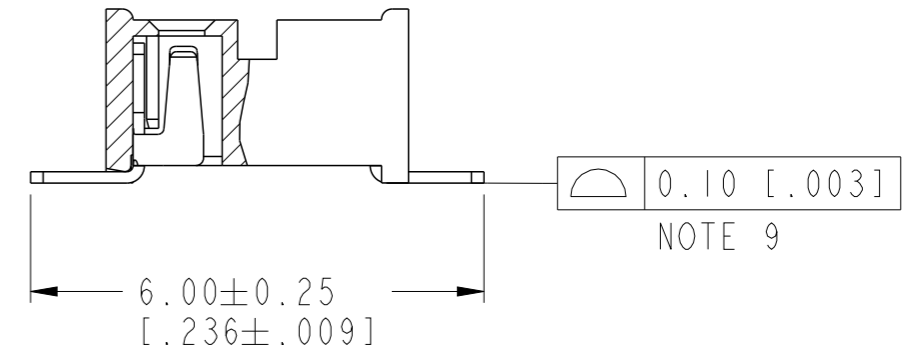
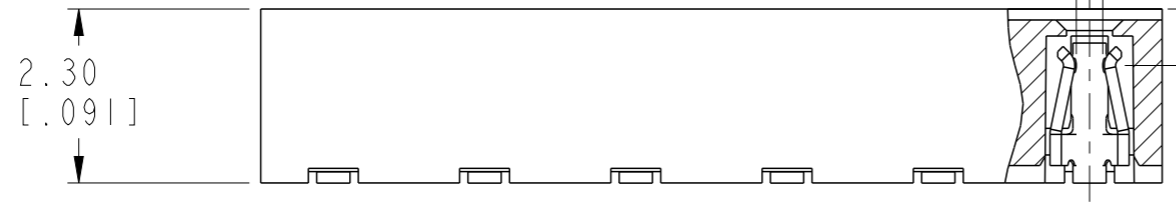


RECOMMENDED PCB LAYOUT

DETAIL NOTE A

⊕ 0.20 [.007] Ⓢ ⒸⓈ

0.75 REF [.029]



DETAIL A SCALE 40:1

spec ref	-	dr	Andrew Yong	2010/10/20	projection	MM / INCH	size	A3	scale	3:1
tolerance std	ISO 406 ISO 1101	eng	Andrew Yong	2011/07/01			ecn no		ELX-S-004241-1	
TOLERANCES UNLESS OTHERWISE SPECIFIED		chr	Aik-Peng Lim	2011/07/12			rel level		Released	
surface	✓	appr	Chen-Hong Tan	2011/07/12	product family	-	dwg no	55508	rev	G
ISO 1302	linear	0.X	±0.3		LOW PROFILE VCC 2.3		cat. no.		-	
	0.XX	±.13	Product - Customer Drw		sheet 1 of 2					
	0.XXX	±.051	STATUS:Released		Printed: Jul 12, 2011					
	angular	0°	±2°	www.fci.com						

PRODUCT NO (5) (6)	POSITIONS	DIM. A	DIM. B
55508-X04	2 X 2	2.00 / .079	3.92 / .154
-X06	2 X 3	4.00 / .158	5.92 / .233
-X08	2 X 4	6.00 / .236	7.92 / .312
-X10	2 X 5	8.00 / .315	9.92 / .391
-X12	2 X 6	10.00 / .394	11.92 / .469
-X14	2 X 7	12.00 / .472	13.92 / .548
-X16	2 X 8	14.00 / .551	15.92 / .627
-X18	2 X 9	16.00 / .630	17.92 / .706
-X20	2 X 10	18.00 / .709	19.92 / .784
-X22	2 X 11	20.00 / .787	21.92 / .863
-X24	2 X 12	22.00 / .866	23.92 / .942
-X26	2 X 13	24.00 / .945	25.92 / 1.020
-X28	2 X 14	26.00 / 1.024	27.92 / 1.099
-X30	2 X 15	28.00 / 1.102	29.92 / 1.178
-X32	2 X 16	30.00 / 1.181	31.92 / 1.257
-X34	2 X 17	32.00 / 1.260	33.92 / 1.335
-X36	2 X 18	34.00 / 1.339	35.92 / 1.414
-X38	2 X 19	36.00 / 1.417	37.92 / 1.493
-X40	2 X 20	38.00 / 1.496	39.92 / 1.572
-X42	2 X 21	40.00 / 1.575	41.92 / 1.650
-X44	2 X 22	42.00 / 1.654	43.92 / 1.729
-X46	2 X 23	44.00 / 1.732	45.92 / 1.808
-X48	2 X 24	46.00 / 1.811	47.92 / 1.887
-X50	2 X 25	48.00 / 1.890	49.92 / 1.965

NOTES:

- HOUSING MAT'L : HIGH TEMP PLASTIC.
- TERMINAL MAT'L : PHOSPHOR BRONZE.
- TERMINAL RETENTION 0.5Kg/1.1 Lbs
- 'V' CUT OPTIONAL - MANUFACTURING PROCESS OPTION.
- SOLDER TAILS OF P/N:55508-XXX IS TIN/LEAD PLATED.
- SOLDER TAILS OF P/N:55508-XXXLF IS 100% MATTE TIN PLATED.
- PRODUCT DESCRIPTION CODE:



- PACKAGING:
  - (a) XXXXX-XXX ---STD PACKAGING IN TUBE.
  - (b) XXXXX-XXXTR ---TAPE AND REEL PACKAGING WITH PICK-UP CAP (SEE FIG 1).
  - (c) XXXXX-XXXTRN ---TAPE AND REEL PACKAGING WITHOUT PICK-UP CAP.
  - (d) XXXXX-XXXTRS ---TAPE AND REEL PACKAGING WITHOUT PICK-UP CAP. (SOLDERTAILS ON TOP)
- CO-PLANARITY:
  - FROM POSITION - X04 THRU -X38 : 0.10 / .004
  - X40 THRU -X50 : 0.12 / .005
- THE HOUSING WILL WITHSTAND EXPOSURE TO 255°C PEAK TEMPERATURE FOR 10 SECONDS IN A CONVECTION, INFRA-RED OR VAPOR PHASE REFLOW OVEN.
- THIS PRODUCT MEETS EUROPEAN UNION DIRECTIVES AND OTHER COUNTRY REGULATIONS AS DESCRIBED IN GS-22-008.
- A  $\Delta$  SYMBOL WILL BE NEXT TO ANY DIMENSION, VIEW OR NOTE WHICH HAS BEEN MODIFIED WITH THE CURRENT DRAWING REVISION.

PLATING OPTIONS OVER CONTACT AREA	
0	= 0.05 $\mu$ m/2 $\mu$ "Au
1	= 0.76 $\mu$ m/30 $\mu$ "Au
3	= 0.38 $\mu$ m/15 $\mu$ "Au

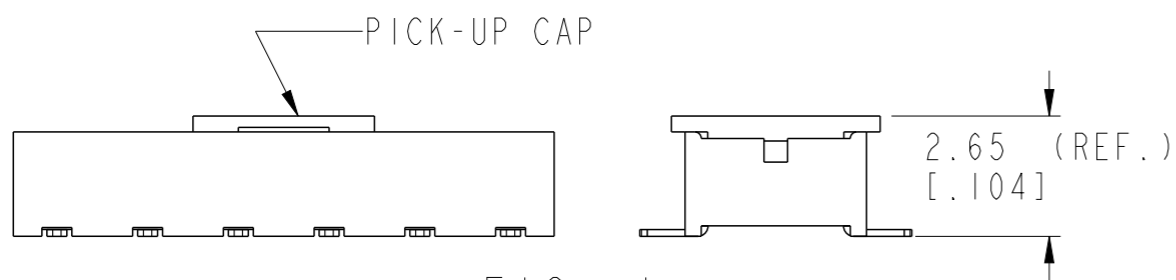


FIG. 1

spec ref	-	dr	Andrew Yong	2010/10/20	projection	MM / INCH	size	A3	scale	3:1
tolerance std	ISO 406 ISO 1101	eng	Andrew Yong	2011/07/01			ecn no	ELX-S-004241-1	rel level	Released
TOLERANCES UNLESS OTHERWISE SPECIFIED		chr	Aik-Peng Lim	2011/07/12						
surface	ISO 1302	appr	Chen-Hong Tan	2011/07/12			dwg no	55508	rev	G
	linear				LOW PROFILE VCC 2.3 TOP ENTRY SMT ASSY		Product - Customer Drw		sheet 2 of 2	
	angular				cat. no.	-	STATUS:Released		Printed: Jul 12, 2011	

